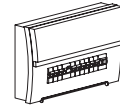


User Manual

DL90 LED Recessed Downlight

WARNING ⚡

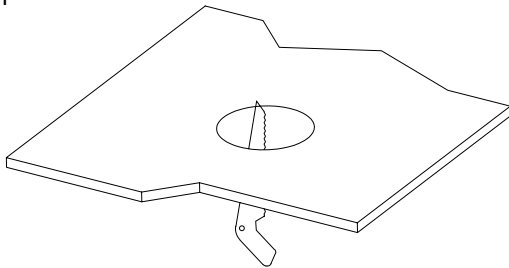
1. Switch off the power before starting installation or maintenance.
2. Turn on only after the installation and examination of the circuit are complete.
3. The light must be installed and maintained by professional electrician.



Ensure that the power supply is turned off prior to beginning any installation. Review the instructions and verify that you possess all necessary tools and accessories to complete the installation accurately.

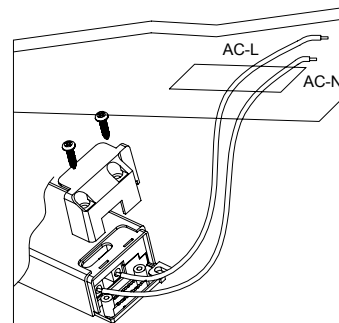
Installation

Step 1



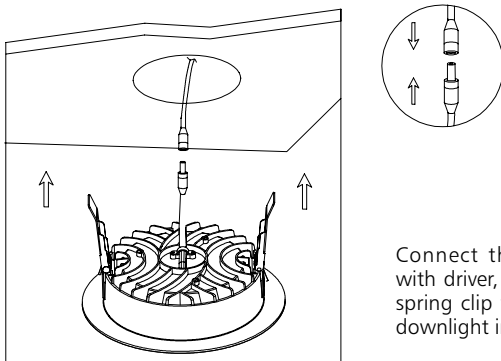
Open a hole according to the cutout size of led downlight.

Step 2



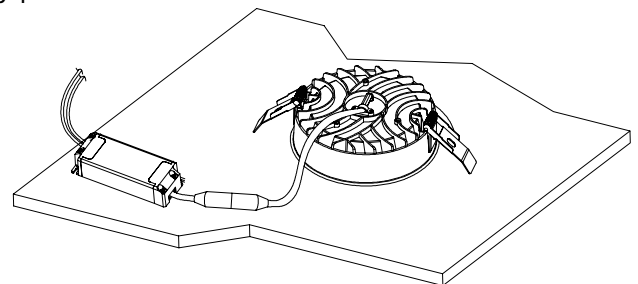
Use screw-driver to open the driver terminal cover, feed the main AC wire L. N. in terminal block respectively, then fix the cover back.

Step 3



Connect the downlight with driver, hold back the spring clip then push the downlight into the hole.

Step 4



Make sure the downlight fixed tightly in ceiling, turn on the power.