



CL45 Series

LED Ceiling Light





Introduction

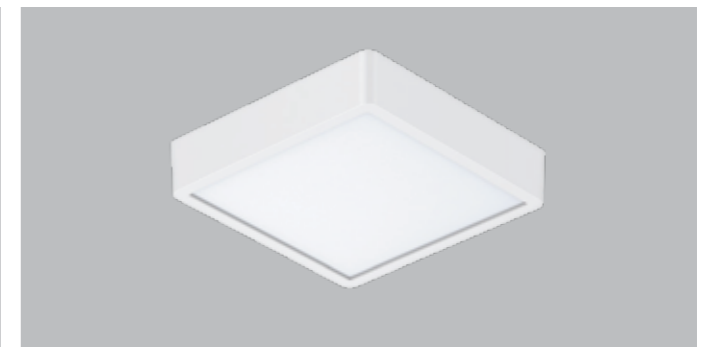
CL45 surface-mounted downlight is available in both square and round designs, offering a comprehensive range of diameter options: 120mm, 160mm, 220mm, and 300mm. Its streamlined structure features a single visible screw, enhancing aesthetics while ensuring quick and easy installation. Functionally, it supports adjustable CCT and triac dimming, making it versatile for various application areas.

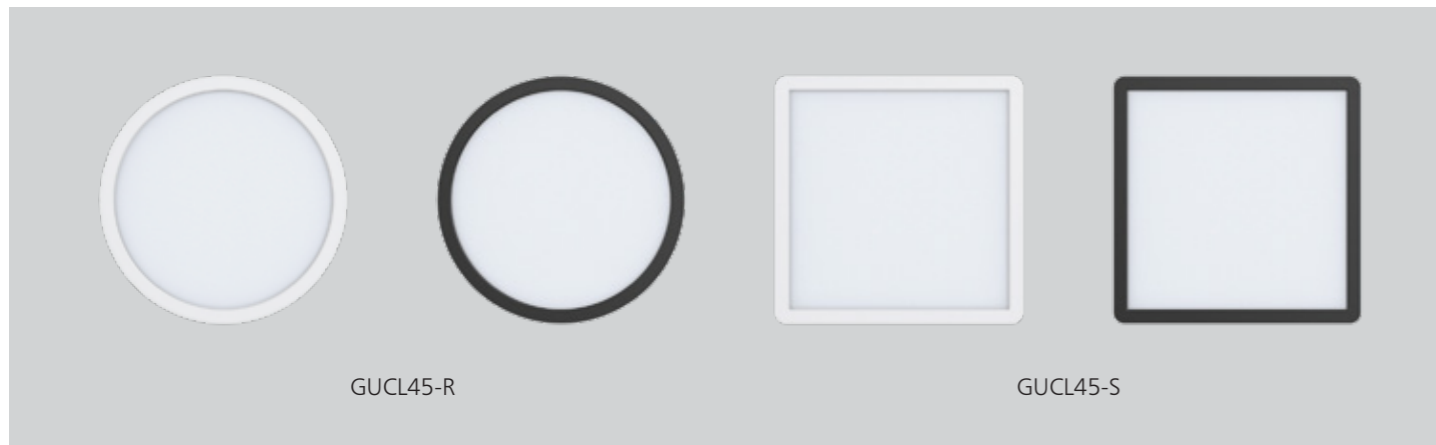
Features

- Square shape and round shape option.
- High lumen efficiency.
- Interchangeable CCT (3000/4000/5700k) with slide switch.
- Triac dimming.
- Internal flicker free driver.

Application Areas

Widely used for various commercial lighting and residential lighting applications, such as offices, shopping mall, hotel, restaurant, hospital, home lighting etc.



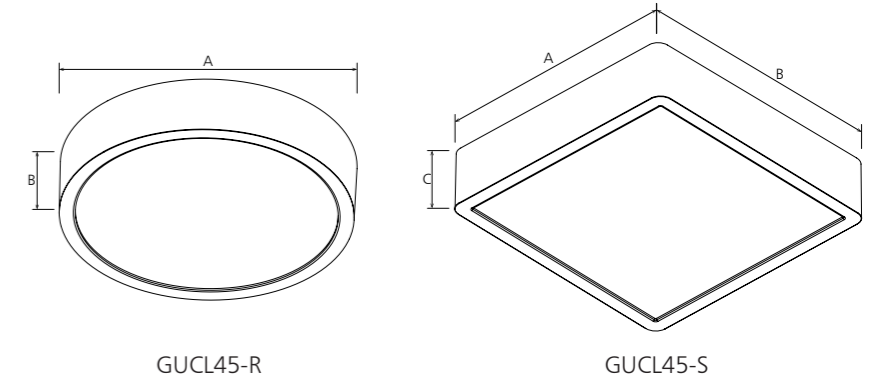


Technical Data Sheet

Code No.	GUCL45-120-R-10W	GUCL45-160-R-12W	GUCL45-220-R-20W	GUCL45-300-R-30W	GUCL4-120-S-10W	GUCL4-160-S-12W	GUCL4-220-S-20W	GUCL4-300-S-30W		
Dimension(mm)	Ø120*45	Ø160*45	Ø220*47	Ø300*47	120*120*45	160*160*45	220*220*47	300*300*47		
Cutout (mm)	-									
Watt(W)	10W	12W	20W	30W	10W	12W	20W	30W		
Rated Input Voltage(V)	AC220-240V									
Input Voltage(V)	AC220-240V									
LED Module Input	-									
Light Source	SMD									
SDCM	<6									
CCT(K)	1-CCT:3000K/4000K/5000K/5700K 3-CCT:3000K+4000K+5700K									
CCT Selection DIP Switch	YES									
Luminous Flux (lm) ±5%	Non-DIM	1-CCT	-	-	2000-2250	3100-3300	-	-	2000-2250	3100-3300
		DIM	600-700	800-900	2000-2200	3000-3200	600-700	800-900	2000-2200	3000-3200
	Non-DIM	3-CCT	-	-	2000-2250	3050-3300	-	-	2000-2250	3000-3200
		DIM	600-700	800-900	2000-2200	3000-3200	600-700	800-900	2000-2200	3000-3200
CRI	80/90									
Beam Angle (°)	110°									
UGR	-									
LED Driver	Driver built-in									
Dimming Option	Triac									
Sensor	NO									
Emergency Kits	NO									
Electrical Class	Class I									
Ingress Protection (IP Rating)	IP20									
Impact Resistance (IK Rating)	-									
Product Finishing(Base)	White RAL9016 & Black RAL9005									
Materials of Optics	PC									
Materials of Housing	PC									
Lifetime (hr)	50,000h									
Glow wire test (°C)	750°C									
Operating Temp. (°C)	-20°C~40°C									
Storage Temp. (°C)	-20°C~65°C									
Installation	Surface mount									

Measurement

Code	Dimension(mm)			Size(mm)
	A	B	C	
GUCL45-120-R	120	45	-	Ø120*45
GUCL45-160-R	160	45	-	Ø160*45
GUCL45-220-R	220	47	-	Ø220*47
GUCL45-300-R	300	47	-	Ø300*47
GUCL45-120-S	120	120	45	120*120*45
GUCL45-160-S	160	160	45	160*160*45
GUCL45-220-S	220	220	47	220*220*47
GUCL45-300-S	300	300	47	300*300*47



Driver Datasheet (Non-dimmable)

Total load wattage		20W	30W
Output	Rated output current	80mA±5	105mA±5%
	Output Voltage range	DC180-220V	
	Line Regulation	±5%	
	Setup, Rise Time	≤0.5S	≤0.5S
	Flickering Index	3%(NO RISK)	3%(NO RISK)
Input	Rated Input Voltage(V)	AC220-240V	
	Input Voltage(V)	AC220-240V	
	Frequency	50/60Hz	
	Rated Input Current	≤0.1	≤0.13A
	Input Current	≤0.1	≤0.13A
	Power Factor	0.9	
	THD	-	<20% @230V
	Efficiency	90%	
	No load wattage	-	
Protection	Short circuit protection	PASS	
	Over voltage protection	PASS	
	Over temperature protection	PASS	
Safety & EMC	Withstand voltage	I/P-FG:1.5kVac, <100mA 60S	
	Isolation Resistance	500VDC, ≥2M Ω	
	Surge	IEC/EN61000-4-5(P<25W; L-N:500V, L/N-PE:1KV)	IEC/EN61000-4-5 (P≥25W L-N:1KV, L/N-PE:2KV)
	EMC Emission	IEC/EN55015, IEC/EN61000-3-2	
EMC Immunity	EC/EN61000-4-2,3,4,5,6,8,11; IEC/EN61547		

Driver Datasheet (Triac Dimmable)

Total load wattage		10W	12W	20W	30W
Output	Rated output current	80mA	95mA	37mA	50mA
	Output Voltage range	DC65-75V		DC420-460V	
	Line Regulation	±5%			
	Setup, Rise Time	≤500ms @230V			
	Flickering Index	≤5%(NO RISK)			
Input	Rated Input Voltage(V)	AC220-240V			
	Input Voltage(V)	AC220-240V			
	Frequency	50Hz			
	Rated Input Current	≤0.03A	≤0.04A	≤0.09A	≤0.13A
	Input Current	≤0.04A	≤0.05A	≤0.1A	≤0.14A
	Power Factor	0.85	0.88	0.9	
	THD	-		<20% @230V	
	Efficiency	≥84%	≥85%	≥86%	≥88%
	No load wattage	<0.5W@230V			
Protection	Short circuit protection	PASS			
	Over voltage protection	PASS			
	Over temperature protection	PASS			
Safety &EMC	Withstand voltage	I/P-FG:1.5KVac,<100mA 60S			
	Isolation Resistance	500VDC, ≥2M Ω			
	Surge	IEC/EN61000-4-5(P<25W; L-N:500V, L/N-PE:1KV)		IEC/EN61000-4-5 (P≥25W L-N:1KV, L/N-PE:2KV)	
	EMC Emission	EN55015, EN61000-3-2			
	EMC Immunity	EC/EN61000-4-2,3,4,5,6,8,11; IEC/EN61547			