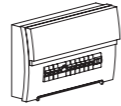


User Manual

GB6566 Series LED Batten Light

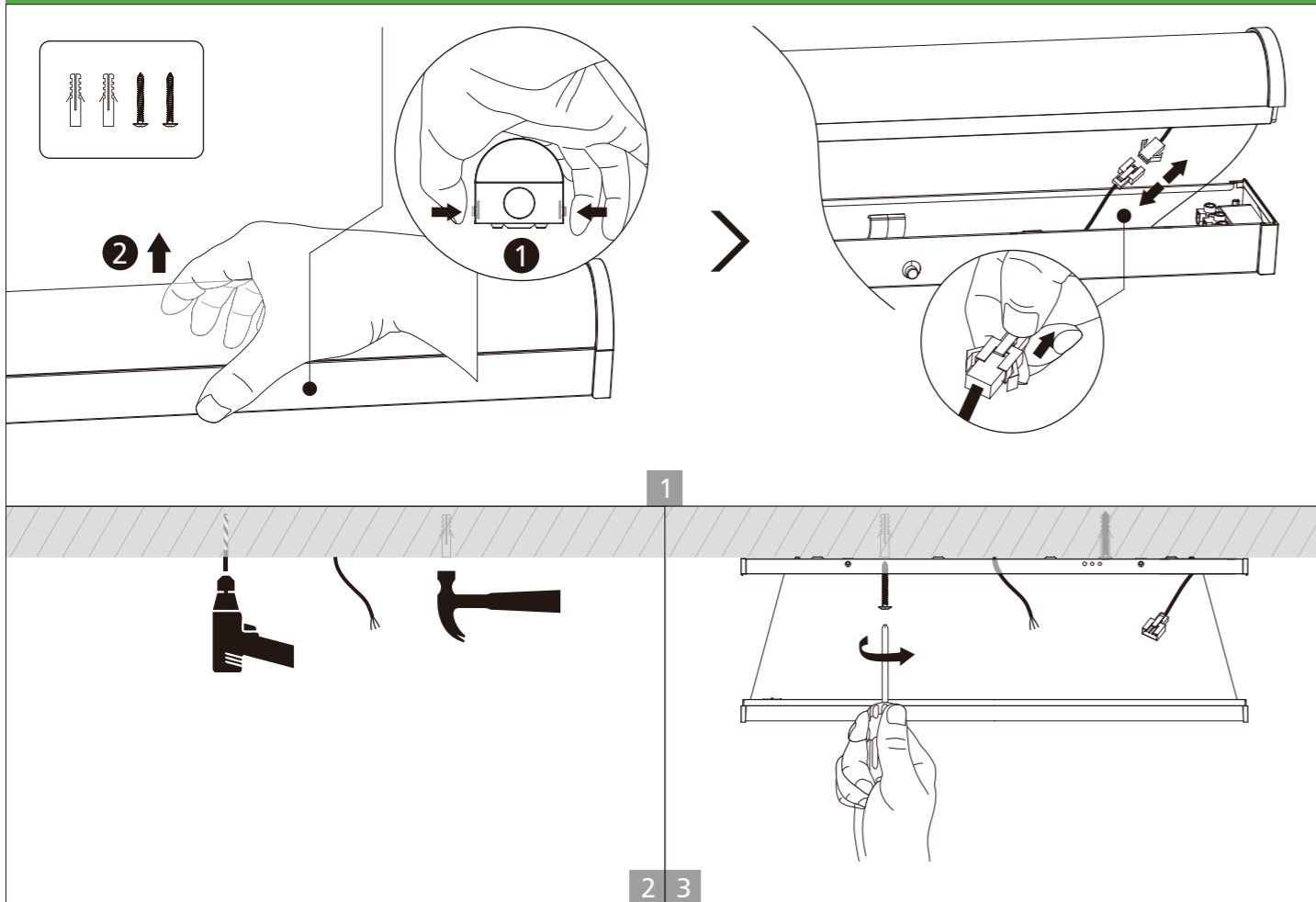
WARNING ⚡

1. Switch off the power before starting installation or maintenance.
2. Turn on only after the installation and examination of the circuit are complete.
3. The light must be installed and maintained by professional electrician.

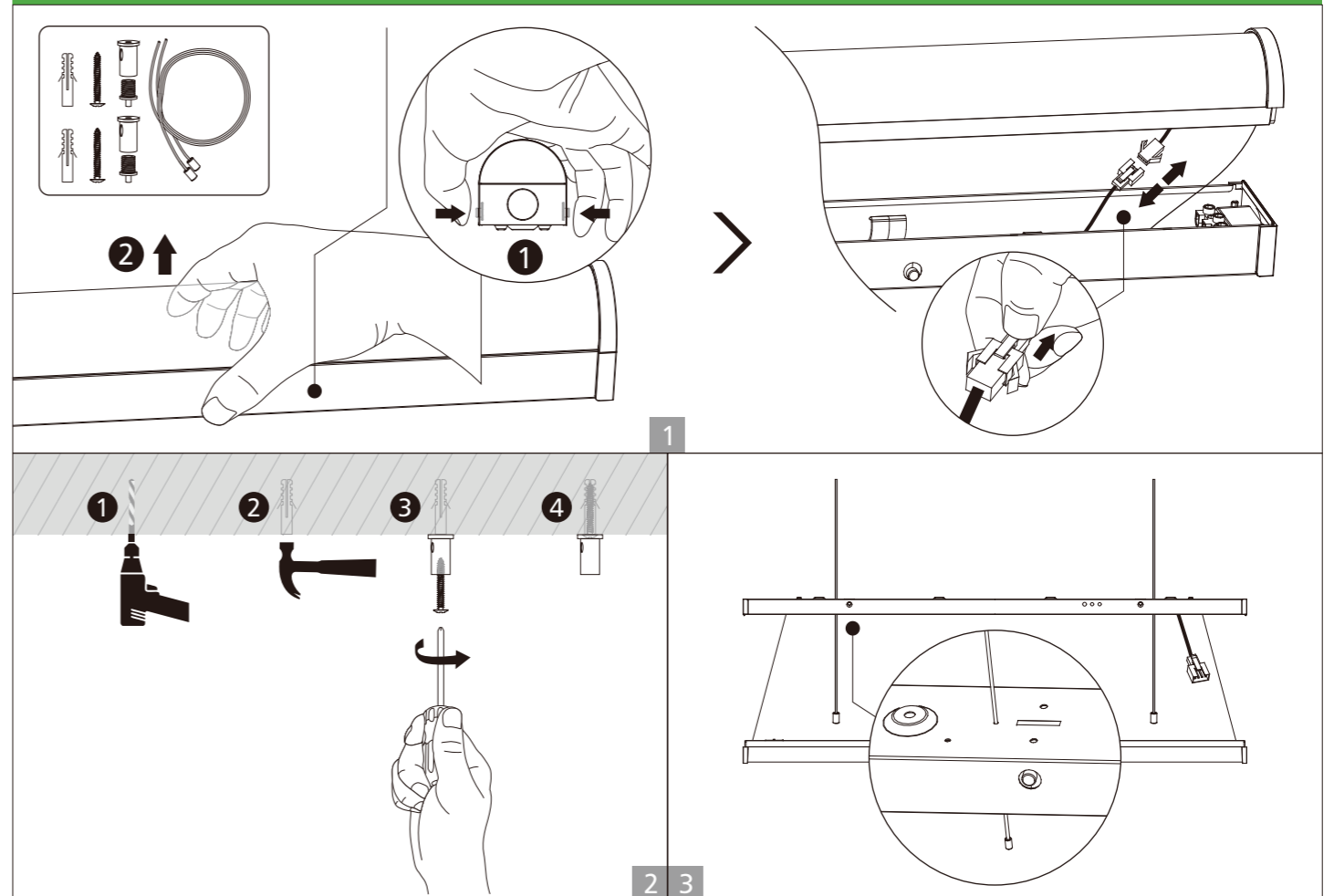


Ensure that the power supply is turned off prior to beginning any installation. Review the instructions and verify that you possess all necessary tools and accessories to complete the installation accurately.

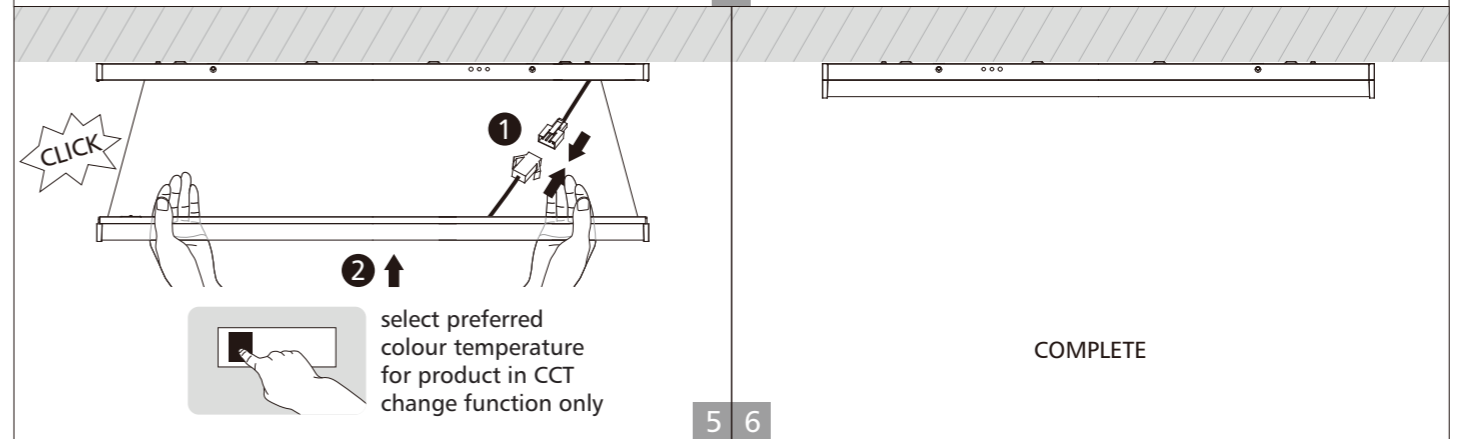
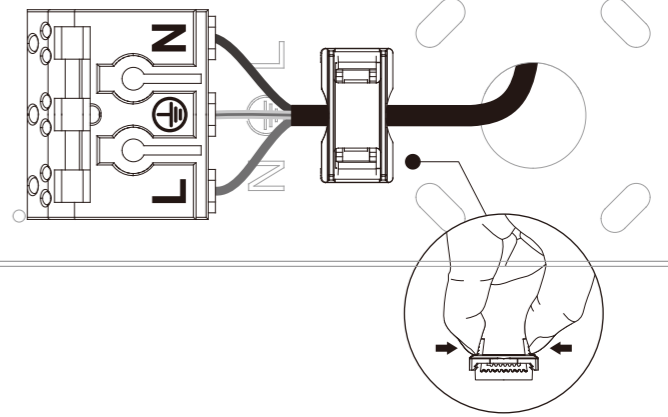
Surface Mounted Installation

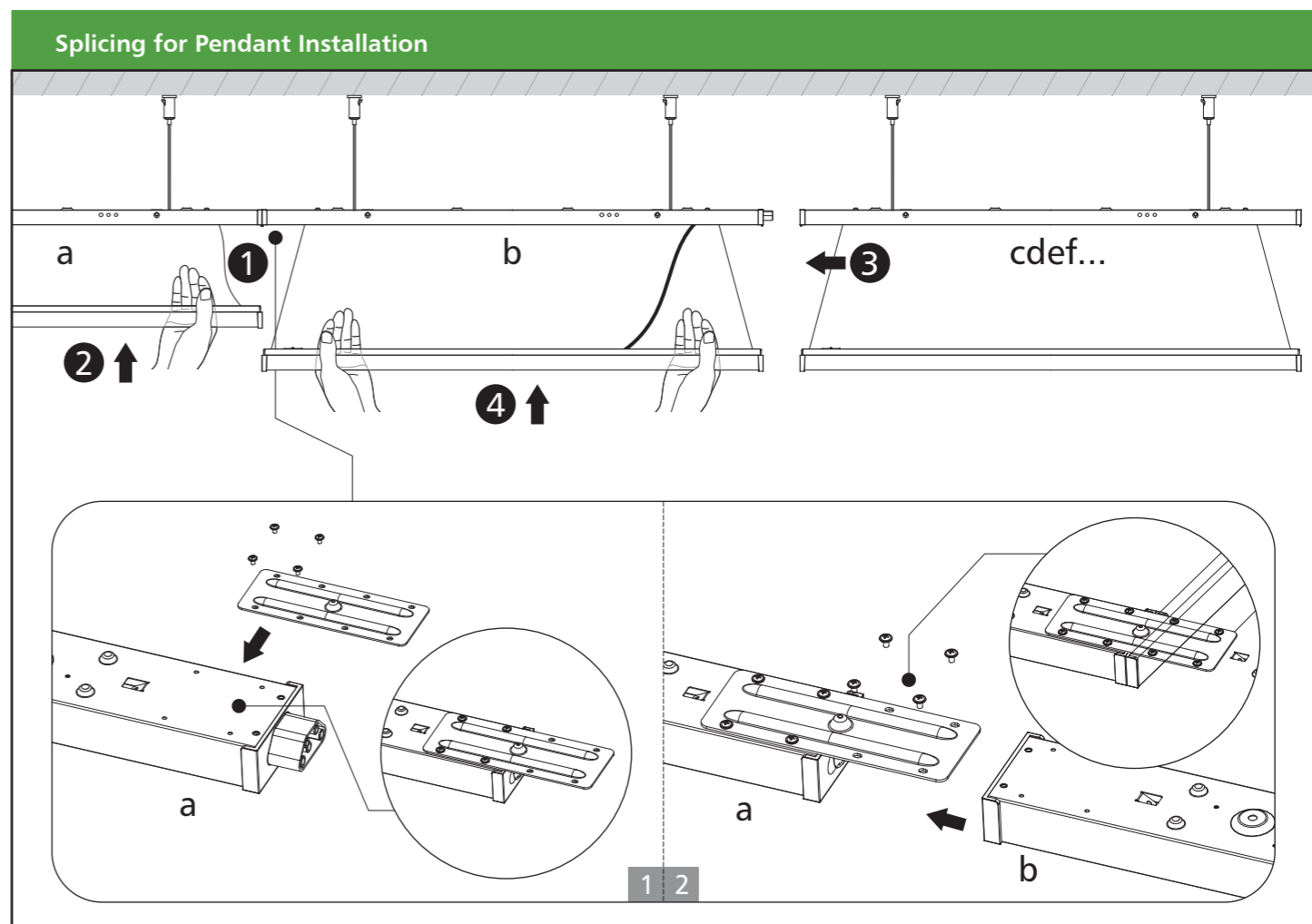
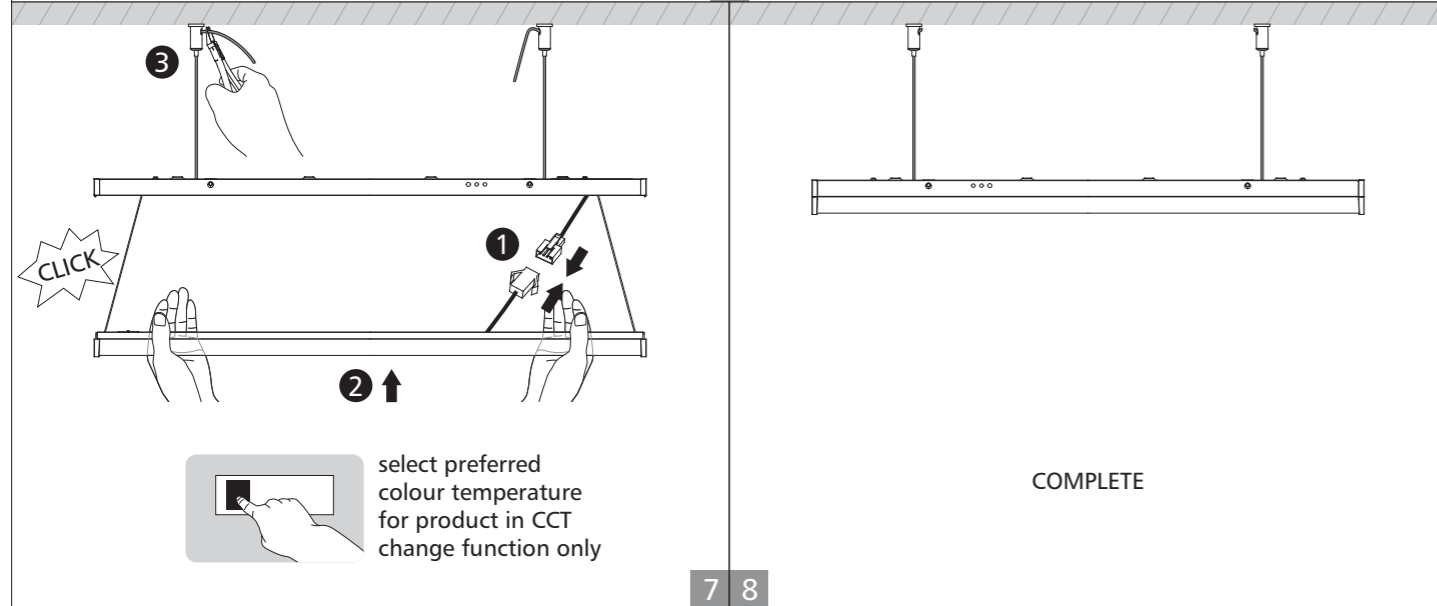
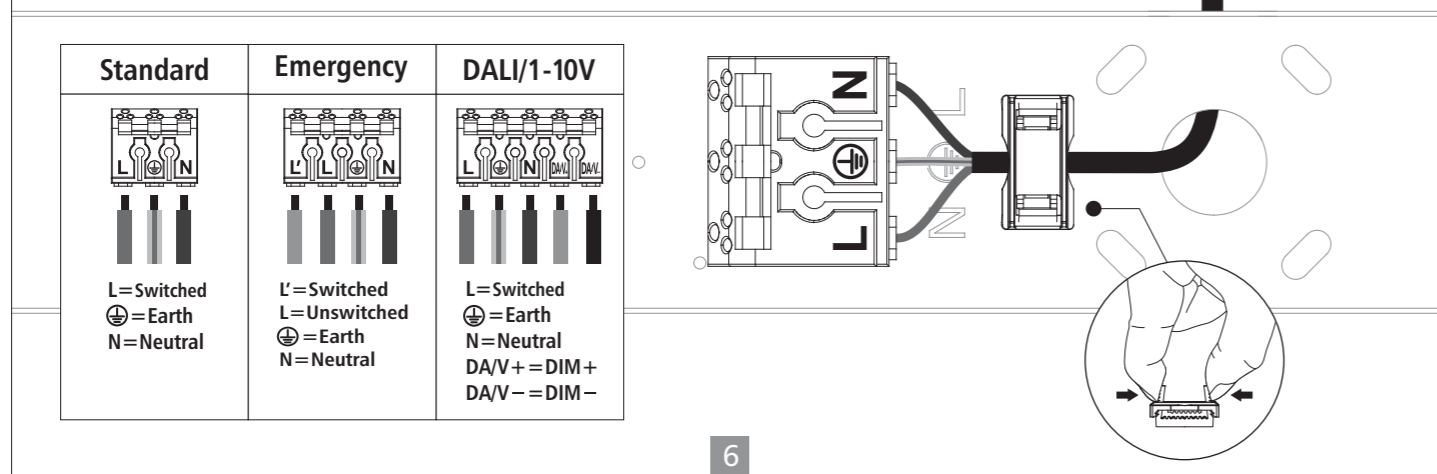
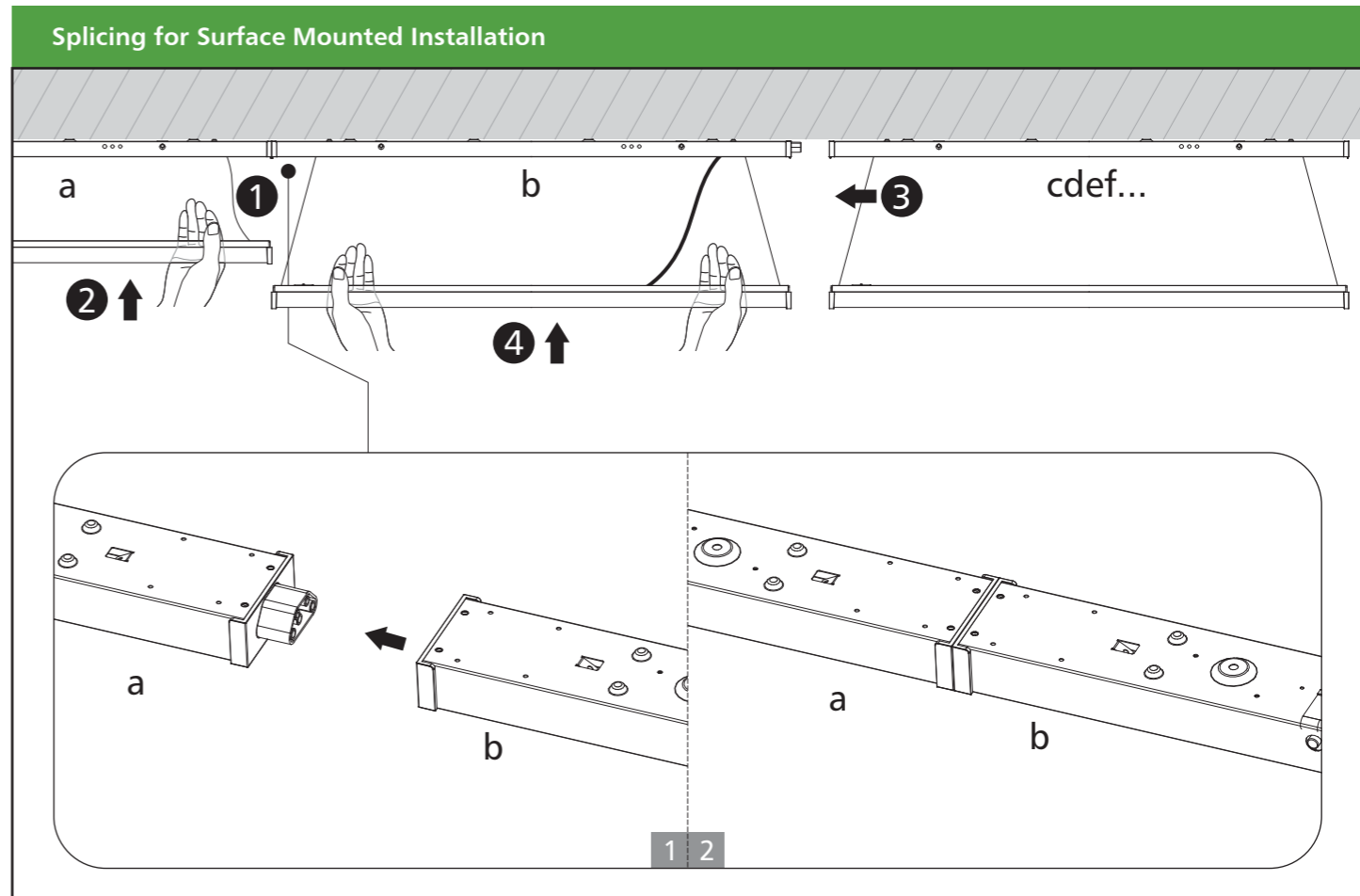
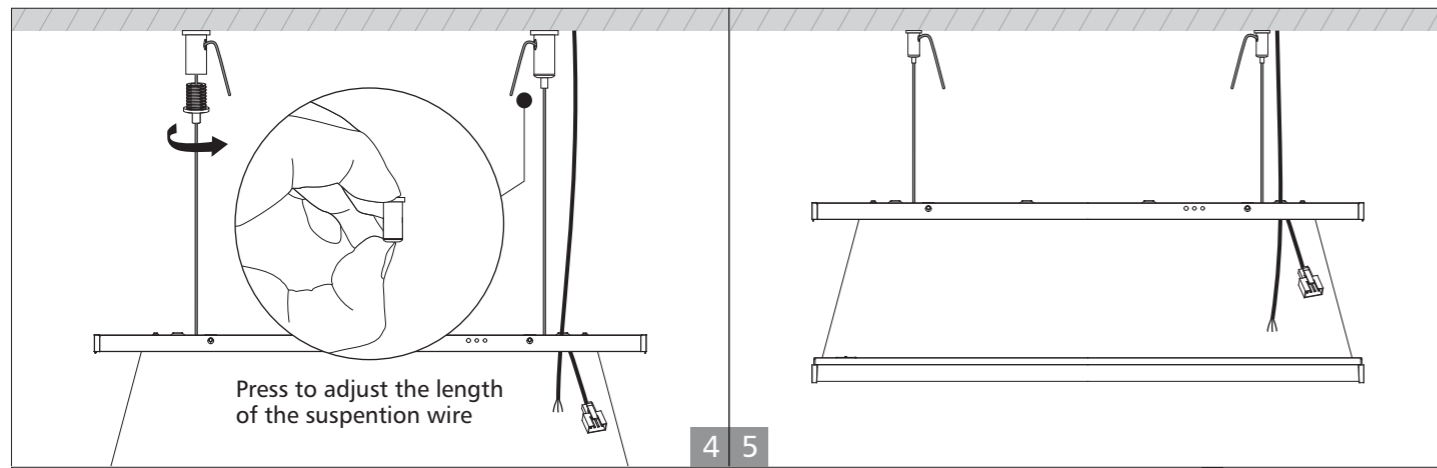


Suspended Installation



Standard	Emergency	DALI/1-10V
L=Switched ⊕=Earth N=Neutral	L'=Switched L=Unswitched ⊕=Earth N=Neutral	L=Switched ⊕=Earth N=Neutral DA/V+=DIM+ DA/V-=DIM-





Wire diameter: 1.5mm²
 splicing to 1350W max.