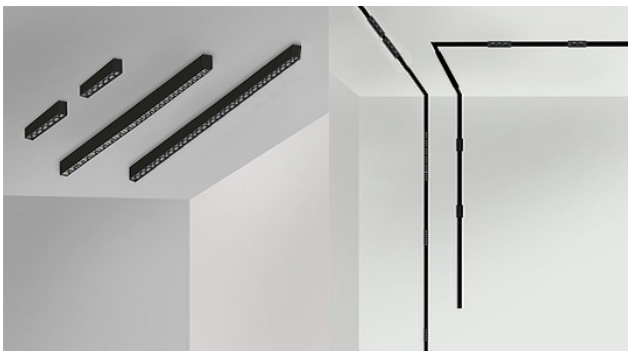


Jupiter Mini 3570 Surface Mounted LED Downlight



Features

- Cut-off angle 55°
- Available in 4 sizes for different areas
- CRI>80/90 Colour Tolerance<3 SCDM
- Strobo-less driver
- Applications: Hotels,villas,clubs,opera houses, museums,exhibition centers,stores,home etc.



Dimensions

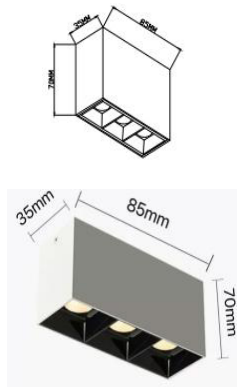
Wattage	6W 5*2W 10*2W 15*2W
Product Dimensions (mm)	85*35*70 (LxWxH) 136*35*70 (LxWxH) 268*35*70 (LxWxH) 403*35*70 (LxWxH)
LED	Osram/Cree
Input Voltage	AC 220V-240V
Input Current/Vf	600mA/9V 550mA/15V 600mA/30V 650mA/45V
CCT	2700K/3000K/4000K/5000K
CRI	80/90
Beam Angle	15°/24°/38°
Lumen	240lm / 400lm 800lm / 1200lm
Driver	Australia Certified Driver
PF	>0.8
Dimming	Traic/0-10V/Dali
Output Voltage	DC 9V/15V/30V/45V
Housing Colours	Black / White / Silver
Material	Aluminum with surface powder coating
Certification and Safety	
Certificate	CE, ROHS, RCM, SAA
IP Rating	IP20
Warranty	3 Years for residential 5 Years for commercial

Jupiter Mini 3570 Surface Mounted LED Downlight

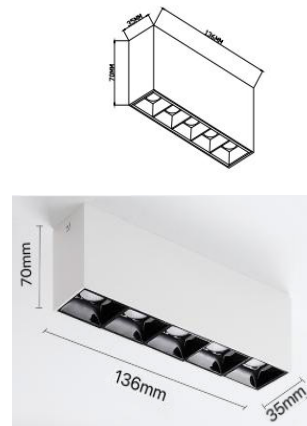


Diagram (mm)

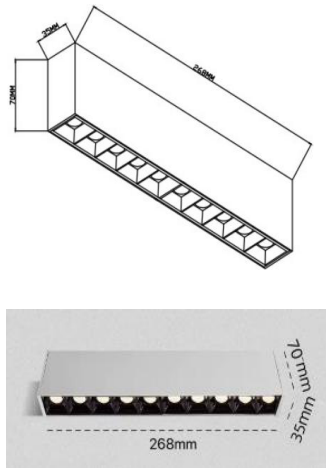
L85 * W35 * H70



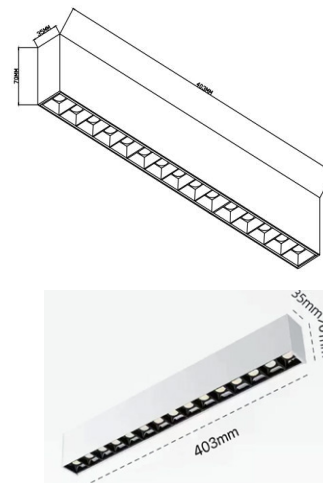
L136 * W35 * H70



L268 * W35 * H70



L403 * W35 * H70



Measurement

Model	Dimension(mm)			Lumen	CCT Colour	Dimming
	L	W	H			
GJJUP-6W-85-M3570	85	35	70	240lm	2700K/3000K/4000K/5000K	Traic/0-10V/Dali
GJJUP-10W-136-M3570	136	35	70	400lm		
GJJUP-20W-268-M3570	268	35	70	800lm		
GJJUP-30W-403-M3570	403	35	70	1200lm		