

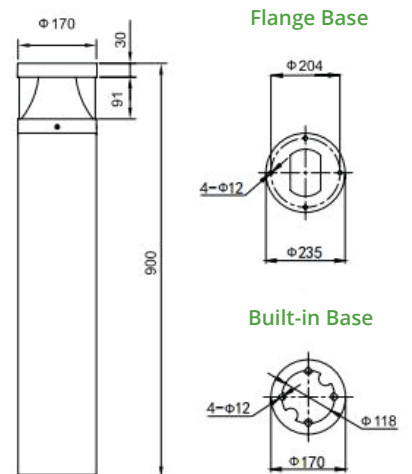
# Bollard Light Industry Series - GY323



- UV proof lamp cover with sealed lamp housing
- Class II electric insulation
- High purity grade aluminium reflector
- High quality die-casting aluminium housing with electrostatic powder coating
- PMMA Diffuser
- High lumen output 110lm/W
- IP65 Rated for outdoor environment
- Power Voltage: 110 - 240V 50/60Hz
- Applications include gardens, lawns, parks, and commercial sites

## Specifications

<b>Colour Range</b>	3000K/4000K/5000K/6000K
<b>Power Consumption</b>	10W / 12W / 20W
<b>Product Dimensions (mm)</b>	Ø170 * 900 (L*W*H)
<b>Lumen</b>	1100lm/1320lm/2200lm
<b>Input Voltage</b>	AC 100-240V
<b>Beam angle</b>	360°
<b>CRI</b>	>80
<b>Power Factor</b>	>0.95
<b>LED</b>	Cree
<b>Driver</b>	Class II Australia Certified Driver
<b>Housing Color</b>	Black / Grey



## Measurement

Model	Wattage	Dimension(mm)	Lumen	CCT Colour
GYIND323-10W-900	10W	Ø170* 900	1100lm	3000K/4000K/5000K/6000K
GYIND323-12W-900	12W		1320lm	
GYIND323-20W-900	20W		2200lm	