

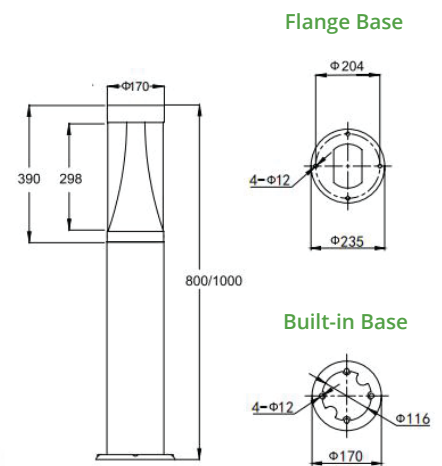
# Bollard Light Industry Series - GY318



- UV proof lamp cover with sealed lamp housing
- Class II electric insulation
- Anti-glare aluminium oxide reflector
- High quality die-casting aluminium housing with electrostatic powder coating
- PMMA Diffuser
- High lumen output 110lm/W
- IP65 Rated for outdoor environment
- Power Voltage: 110 - 240V 50/60Hz
- Applications include gardens, lawns, parks, and commercial sites

## Specifications

<b>Colour Range</b>	3000K/4000K/5000K/6000K
<b>Power Consumption</b>	8W / 10W / 20W
<b>Product Dimensions (mm)</b>	Ø170 * 800/1000 (L*W*H)
<b>Lumen</b>	880lm/1100lm/2200lm
<b>Input Voltage</b>	AC 100-240V
<b>Beam angle</b>	360°
<b>CRI</b>	>80
<b>Power Factor</b>	>0.95
<b>LED</b>	Cree
<b>Driver</b>	Class II Australia Certified Driver
<b>Housing Color</b>	Black / Grey



## Measurement

Model	Wattage	Dimension(mm)	Lumen	CCT Colour
GYIND318-8W-800	8W	Ø170 * 800	880lm	3000K/4000K/5000K/6000K
GYIND318-10W-800	10W	Ø170 * 800	1100lm	
GYIND318-20W-1000	20W	Ø170 * 1000	2200lm	