

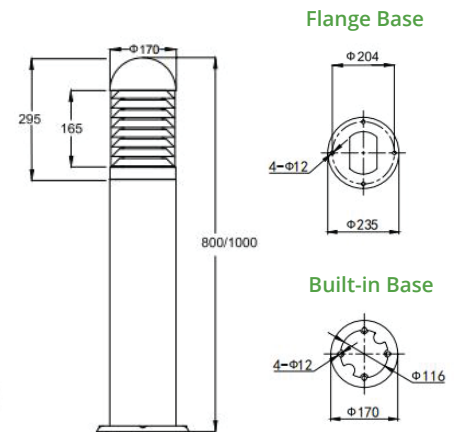
Bollard Light Industry Series - GY317A



- UV proof lamp cover with sealed lamp housing
- Class II electric insulation
- Anti-glare aluminium oxide reflector
- High quality die-casting aluminium housing with electrostatic powder coating
- PC Diffuser
- High lumen output 110lm/W
- IP65 Rated for outdoor environment
- Power Voltage: 110 - 240V 50/60Hz
- Applications include gardens, lawns, parks, and commercial sites

Specifications

| | |
|--------------------------------|-------------------------------------|
| Colour Range | 3000K/4000K/5000K/6000K |
| Power Consumption | 10W / 14W |
| Product Dimensions (mm) | Ø170 * 800/1000 (L*W*H) |
| Lumen | 1100lm/1540lm |
| Input Voltage | AC 100-240V |
| Beam angle | 360° |
| CRI | >80 |
| Power Factor | >0.95 |
| LED | COB |
| Driver | Class II Australia Certified Driver |
| Housing Color | Black / Grey |



Measurement

| Model | Wattage | Dimension(mm) | Lumen | CCT Colour |
|--------------------|---------|---------------|--------|-------------------------|
| GYIND317A-10W-800 | 10W | Ø170 * 800 | 1100lm | 3000K/4000K/5000K/6000K |
| GYIND317A-14W-1000 | 14W | Ø170 * 1000 | 1540lm | |