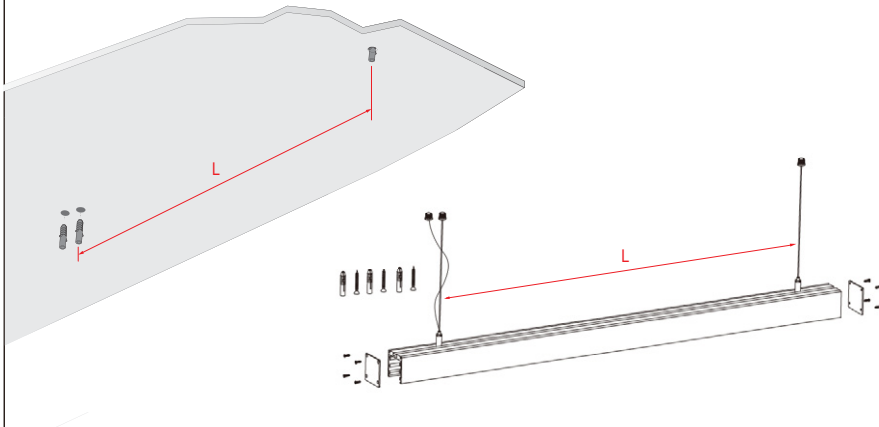


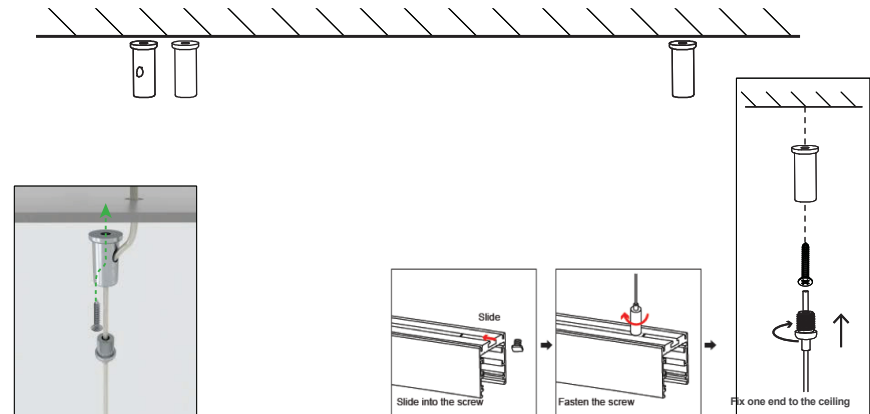
User Manual

Pendant: Chain GLS3535

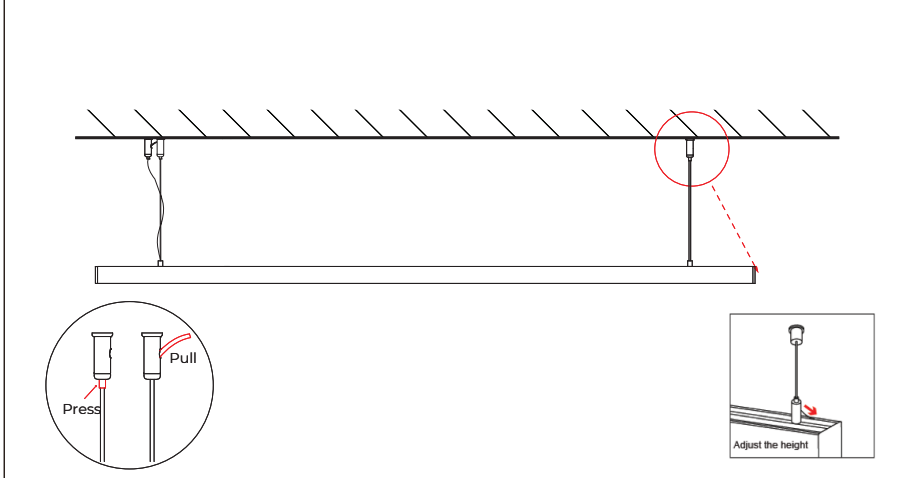
- 1 Measured the distance "L" between the two pendant cables, drill two $\phi 5\text{mm}$ holes in the corresponding positions on the ceiling, install the screw stopper into the hole.



- 2 Screw the one end of the pendant cable into the ceiling, as shown below.



- 3 Pull the cable to adjust the cable length, as shown below.



- 4 Power connection, then finish.

