

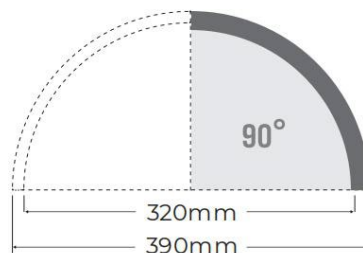
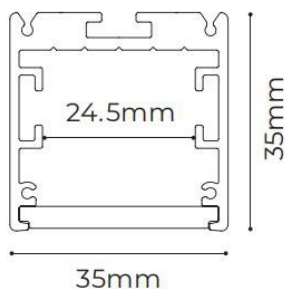
Chain GAS35 Curve & Circular Lighting System

D320 LED Linear Inward Light (Customised)

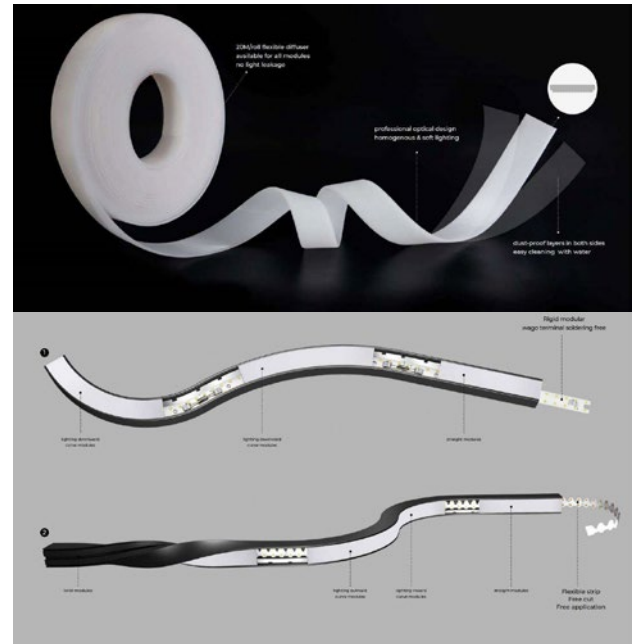


Features






- Various installation ways: pendant and surface mounted
- Ever-changing shapes generated by means of super free application and connections of lines and arcs
- Flexible diffuser making it easy for installation without connections for over length application and light leakage
- Specially designed light source with diffusers producing homogeneous and soft lighting
- AL6063-T5 aluminum profile with high-quality surface treatment and three optional colors of black, white and silver





Details



Optional Accessories

Picture	Item	Parameter	Model
	① Profile	Material: AL6063-T5 Profile weight: 0.24kg/ D320mm, 90° Size: 35x35mm, D320mm, 90° Surface processing: Spray	GCAS3535-03N90
	② Cover	Size: L20000*W32*H3.5mm Light transmittance: 55%	GCCV-AS3535FD
	③ End cap	Size: L35*W35*H1.5mm	GCEC-AS3535
	④ Flexible modular	Material: FPC,CCT:2700/3000/3500/4000/5000/ 6500K; CRI > 80/90; Voltage: 24V; Power: 19.2W/M; Lumen: 2880Lm/M; Width: 15mm; Minimum cutting unit: 8LEDs/50mm;	GCDS8160-24V- 15mm
		Material: FPC,CCT:RGB; CRI > 80; Voltage: 24V; Power: 25W/M; Lumen: 720Lm/M; Width: 15mm; Minimum cutting unit: 6LEDs/50mm;	GCDMA120-24V- 15mm

Picture	Item	Parameter	Model
	④Flexible modular	Material: FPC,CCT:RGB; CRI > 80; Voltage: 24V; Power: 20W/M; Lumen: 815Lm/M; Width: 15mm; Minimum cutting unit: 6LEDs/50mm;	GCDA168-24V-15mm
		Material: FPC,CCT:2700+6500K; CRI > 80/90; Voltage: 24V; Power: 19.2W/M; Lumen: 2880Lm/M; Width: 15mm; Minimum cutting unit: 16LEDs/50mm;	GCDS8320-24V-15mm
	Screw set	Size: M3.5*40mm	GCCL-01
	Pendant cable	Steel cable: D1.5*2000\4000mm\maximum load bearing:13Kg	GCPN-W
	Pendant cable	Size:20AWG\2000mm\maximum load bearing:6.5Kg	GCPE-K
	Surface mounted buckle	Size:11.2*8.5*22.5mm	GCCL-04
	Programmable digital controller	Power supply: DC 5V-24V input Power consumption : 2W Working temperature : Ta:0-20 °C~0+85 °C	GCK-1000C
	Programmable digital controller	Power supply: DC 5V-24V input Power consumption : 5W Working temperature : Ta:0-20 °C~0+85 °C	GCK-8000C
	RGB control receiver	Input voltage: DC12-48V Output current: 18A Output Power: Max 216W@12V/Max 432W@24V/ Max 648W@36V/Max 864W@48V Working temperature: -30°C- +55°C	GCCR3-GBA
	RGBW Remote	output signal: RF Working voltage: 3VDC(CR2032) Remote control distance: 30m Working temperature:Ta:0-30°C~0+55 °C	GCCK4-GBA

Picture	Item	Parameter	Model
	CCT control receiver	Input voltage : DC12-48V Output current: 8A Output Power: Max 192W@12V/Max 284W@24V/ Max 576W@36V/Max 768W@48V Working temperature: -30°C— +55°C	GCCR2-GBA
	CCT Remote	output signal: RF Working voltage: 3VDC(CR2032) Remote control distance: 30m Working temperature: Ta:0-30°C~0+55 °C	GCCK2-GBA

Optical Parameter

D320 Inward GCAS3535-03N90 module/ GCDS8160-24V-15mm light source, frosted diffuser

