

WL145 Indoor LED Wall Mounted Light

Introduction

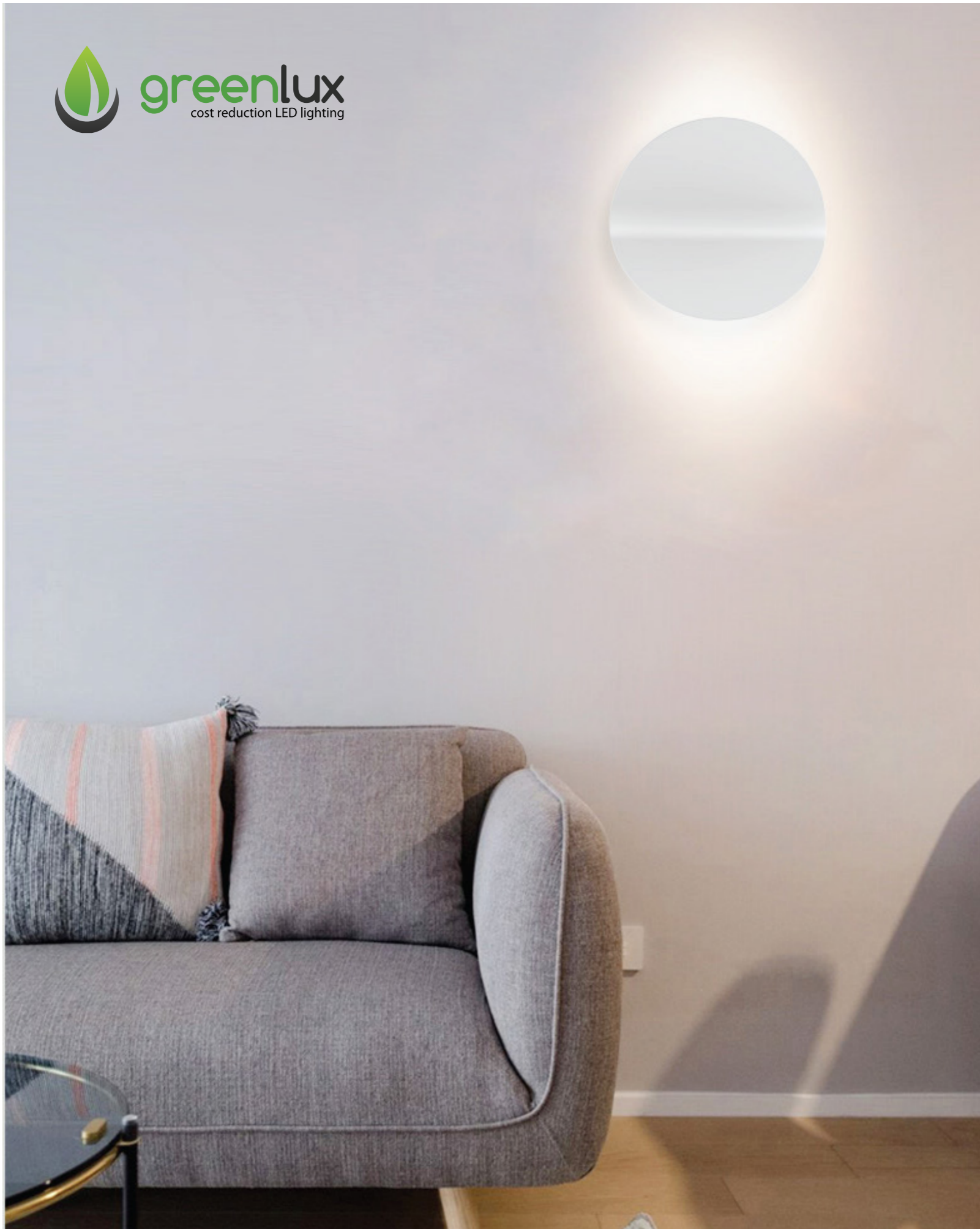
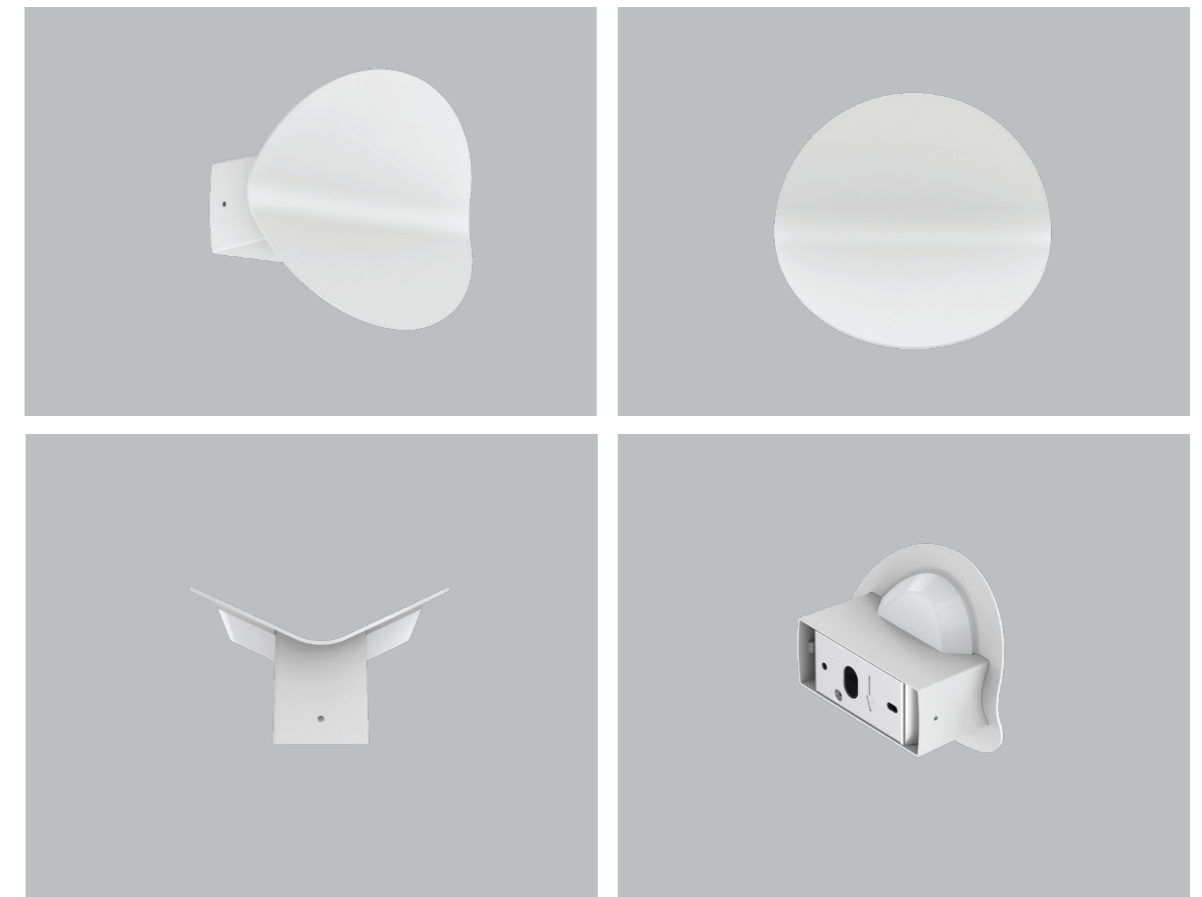
Introducing the WL145, an indoor wall lamp designed with symmetrical lighting in mind. Its unique leaf shape adds a touch of elegance and compactness, making it a perfect choice for lighting decoration. The ADC12 aluminum housing guarantees efficient thermal management. With its up and down lighting capability, it offers a wide beam angle of 160°, greatly enhancing its decorative impact.

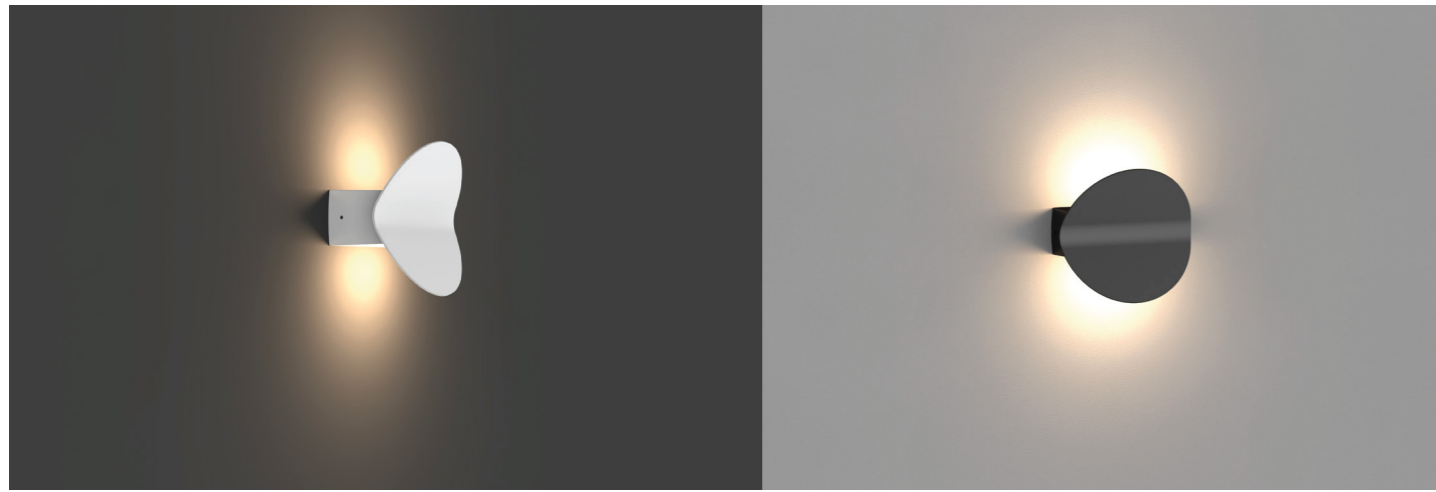
Features

1. Smoothly surface with leaf shape.
2. Symmetrical lighting has 160° wide beam angle.
3. Interchangeable CCT(3000K+4000K+5700K)with slide switch.
4. Internal flicker free driver.
5. Dimming ways: Non-dim, triac dim.
6. Easy and quick installation.

Application Areas

It's widely used in indoor corridor, study room, bedroom, lobby etc.



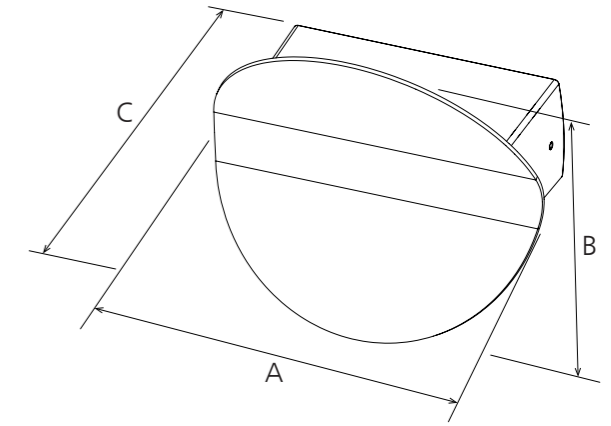


Technical Data Sheet

Code No.	GUWL145-8W		
Dimension(mm)	145*135*80		
Cutout (mm)	-		
Watt(W)	2×4W		
Rated Input Voltage(V)	AC230V		
Input Voltage(V)	AC200-240V		
LED Module Input	-		
Light Source	SMD		
SDCM	<6		
CCT(K)	1-CCT: 3000K/4000K/5000K/5700K 3-CCT: 3000K + 4000K + 5700K		
CCT Selection DIP Switch	Yes		
Luminous Flux (lm) ±5%	Non-DIM	1-CCT	700-730
			DIM
	Non-DIM	3-CCT	680-720
			DIM
CRI	80		
Beam Angle (°)	160°		
UGR	-		
LED Driver	Built-in		
Dimming Option	Triac		
Sensor	NO		
Emergency Kits	NO		
Electrical Class	Class I		
Ingress Protection (IP Rating)	IP20		
Impact Resistance (IK Rating)	IK06		
Product Finishing(Base)	White		
Optics Material	PC		
Housing Material	Aluminium+PC		
Lifetime (hr)	50,000h		
Glow wire test (°C)	850°C		
Operating Temp. (°C)	-20°C ~45°C		
Storage Temp. (°C)	-20°C ~65°C		
Installation	Wall mount		

Measurement

Code	Dimension(mm)				Size(mm)
	A	B	C	D	
GUWL145-8W	145	135	80		145*135*80



Driver Datasheet(Non-dimmable)

Total load wattage		8W
Output	Output Voltage range	DC60-75V
	Rated output current	105mA
	Line Regulation	±5%
	Setup, Rise Time	≤0.5S
	Flickering Index	≤3%(NO RISK)
Input	Input Voltage	AC85-265V
	Rated Input Voltage(V)	AC100-240V
	Frequency	50Hz
	Input Current	≤0.1A
	Rated Input Current	≤0.09A
	Power Factor	0.9
	THD	-
	Efficiency	≥85%
Protection	No load wattage	≤0.5W
	Short circuit protection	Pass
	Over voltage protection	Pass
Safety & EMC	Over temperature protection	Pass
	Withstand voltage	-
	Isolation Resistance	-
	Surge	IEC/EN61000-4-5(P<25W; L-N:500V, L/N-PE:1KV)
	EMC Emission	IEC/EN55015, IEC/EN61000-3-2
EMC Immunity	IEC/EN61000-4-2,3,4,5,6,8,11;IEC/ EN61547	

Driver Datasheet (Triac Dimmable)

Total load wattage		8W
Output	Output Voltage range	DC65-75V
	Rated output current	95mA
	Line Regulation	±5%
	Setup, Rise Time	≤0.5S
	Flickering Index	≤3%(NO RISK)
Input	Input Voltage	AC200-264V
	Rated Input Voltage(V)	AC200-240V
	Frequency	50Hz
	Input Current	≤0.05A
	Rated Input Current	≤0.05A
	Power Factor	0.88
	THD	-
	Efficiency	≥85%
	No load wattage	≤0.5W
Protection	Short circuit protection	Pass
	Over voltage protection	Pass
	Over temperature protection	Pass
Safety & EMC	Withstand voltage	-
	Isolation Resistance	-
	Surge	IEC/EN61000-4-5(P<25W; L-N:500V, L/N-PE:1KV)
	EMC Emission	IEC/EN55015, IEC/EN61000-3-2
	EMC Immunity	IEC/EN61000-4-2,3,4,5,6,8,11;IEC/ EN61547