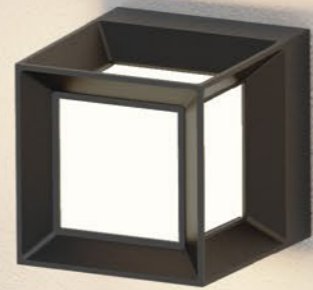


WL110 Outdoor

LED Wall Mounted Light





Introduction

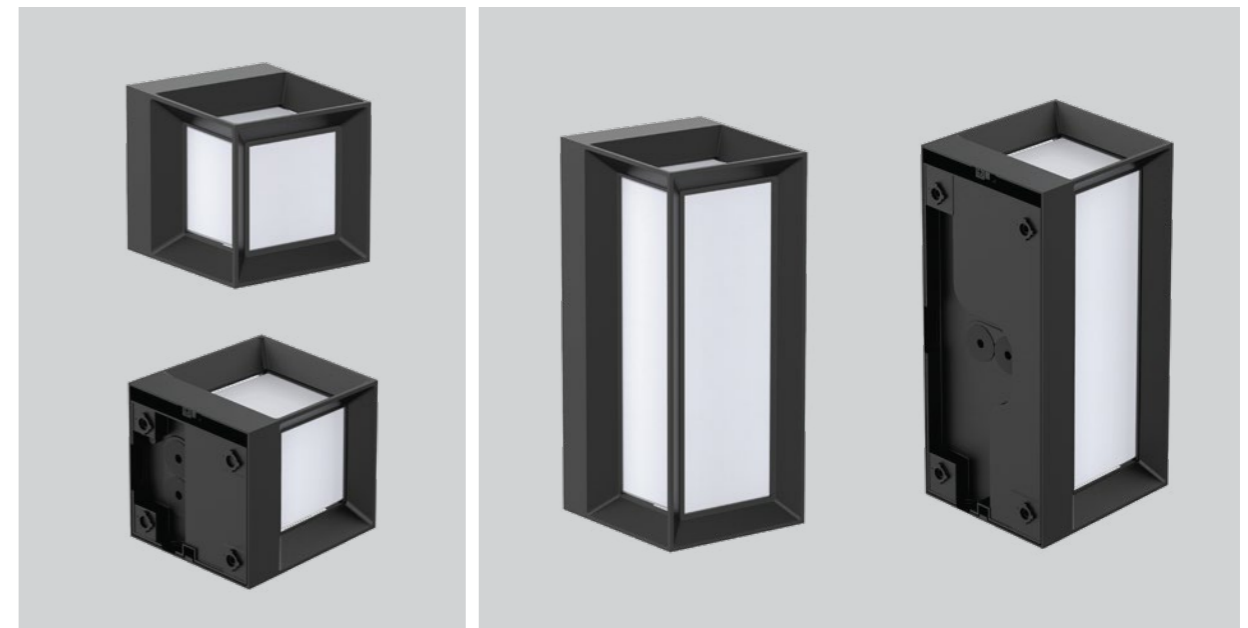
Introducing the WL110 IP65 waterproof wall lamp with 5-side lighting. This lamp comes in two versions: the standard version and the sensor version. It features an ADC12 aluminium housing that ensures excellent heat dissipation. The 5-side PC cover allows for efficient lighting emission. Additionally, it is equipped with an inner slide switch for CCT change, making it convenient for stock saving.

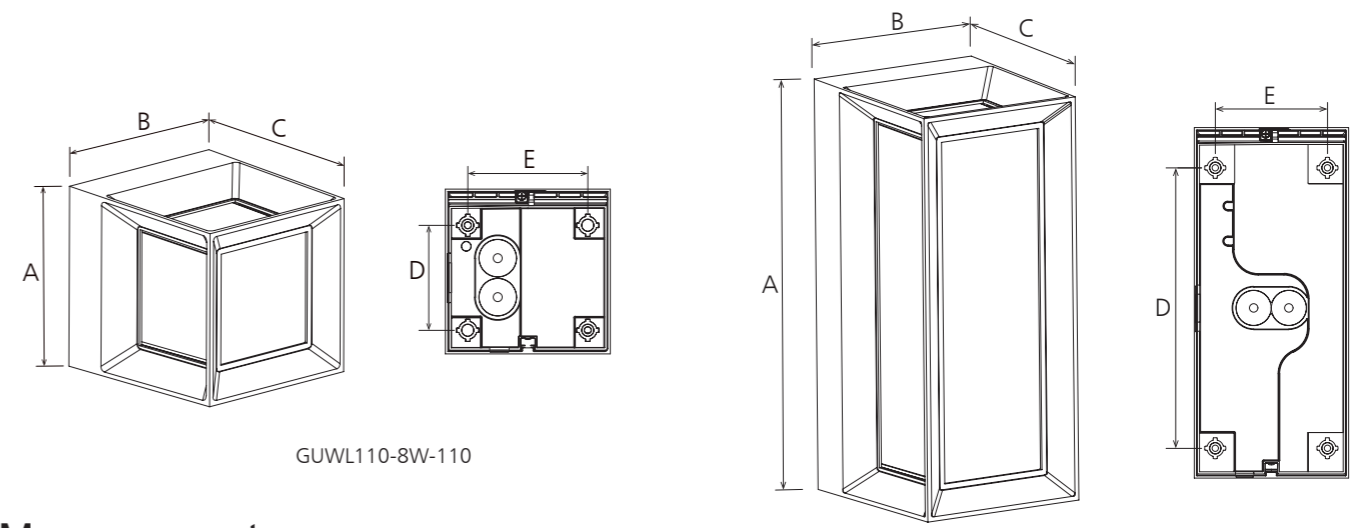
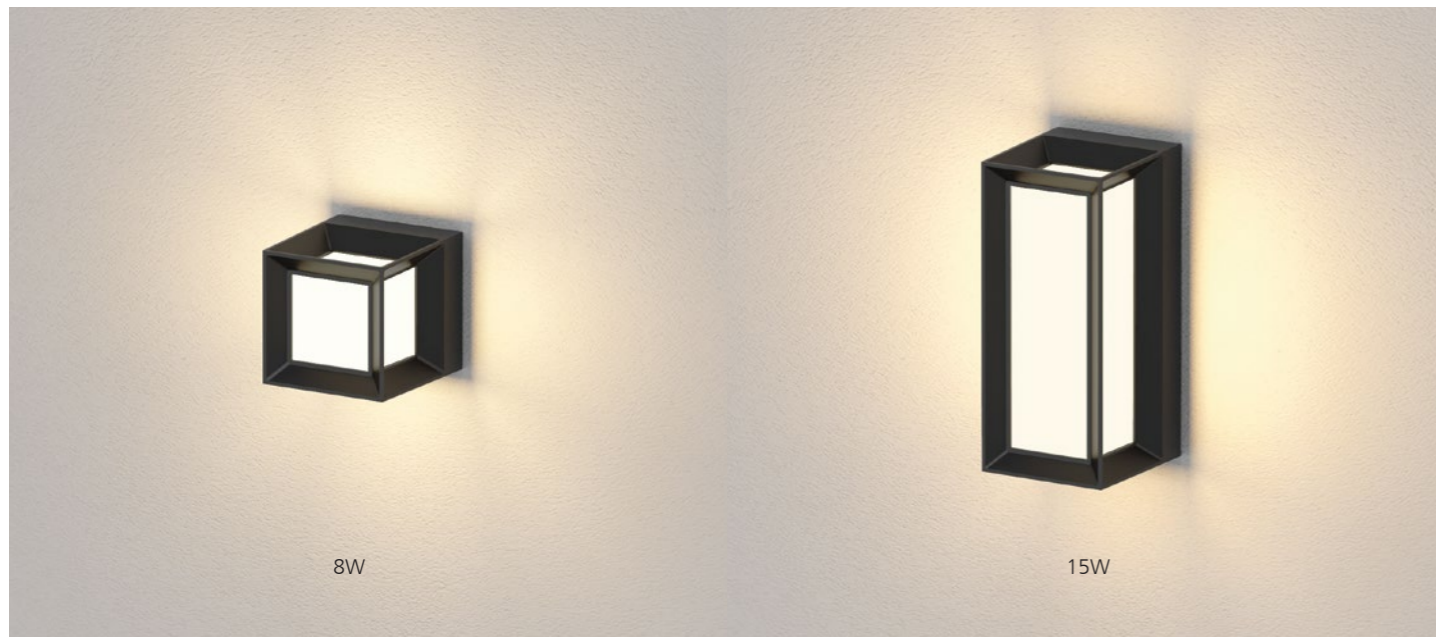
Features

- ADC12 aluminium housing for good heat dissipation
- Sensor version: adopt 5.8GHz microwave sensor and daylight sensor
- Support both rear and side cable entry
- Interchangeable CCT(3000K+4000K+5700K)with slide switch
- IP65 IK06 protection level
- Dimming way: Triac dim for standard version
- Internal flicker free driver

Application Areas

It's widely used in outdoor applications, such as outdoor walkway, yard, green landscape, business street, garden, park etc.





GUWL110-8W-110

GUWL110-15W-250

Technical Data Sheet

Code		GUWL110-8W-110	GUWL110-15W-250
Dimension(mm)		110*110*120mm	250*110*120mm
Cutout (mm)		-	
Watt(W)		8W	15W
Rated Input Voltage		AC220-240V	
Input Voltage		AC198-264V	
LED Module Input		-	
Light Source		SMD	
SDCM		<6	
CCT(K)		1-CCT:2700K/3000K/4000K/5000K/5700K 3-CCT: 3000K+4000K+5700K	
CCT Selection DIP Switch		YES	
Luminous Flux (lm) ±5% CRI80	1-CCT	Non-DIM	-
		DIM	590-750
	3-CCT	Non-DIM	-
		DIM	590-750
CRI		80, 90	
Beam Angle (°)		200°	
UGR		-	
LED Driver		Driver built-in	
Dimming Option		Triac	
Sensor		Microwave sensor+Daylight sensor	
Emergency Kits		-	
Electrical Class		Class I	
Ingress Protection(IP Rating)		IP65	
Impact Resistance(IK Rating)		IK06	
Product Finishing		Black RAL 9005/White RAL 9016	
Optics Material		PC	
Housing Material		Aluminium	
Lifetime (hr)		50,000h	
Glow wire test (°C)		750°C	
Operating Temp.(°C)		-20°C~45°C	
Storage Temp.(°C)		-20°C~65°C	
Installation		Wall Mount	

Measurement

Code	Dimension(mm)					Size(mm)
	A	B	C	D	E	
GUWL110-8W-110	110	110	120	70	80	110*110*120
GUWL110-15W-250	250	110	120	200	80	250*110*120

Driver Datasheet (Non-dimmable for sensor version)

Total load wattage		8W	15W
Output	Rated output current	100mA	200mA
	Output Voltage range	DC60V-75V	
	Line Regulation	±5%	
	Setup, Rise Time	<0.5S	
	Flickering Index	3%,IEEE1789 NO RISK	
Input	Rated Input Voltage	AC220-240V	
	Input Voltage	AC198-264V	
	Frequency	50/60HZ	
	Rated Input Current	≤0.05A	≤0.08A
	Input Current	≤0.05A	≤0.09A
	Power Factor	≥0.9	
	THD	-	
	Efficiency	≥85%	
	No load wattage	<0.5W	
Protection	Short circuit protection	PASS	
	Over voltage protection	PASS	
	Over temperature protection	PASS	
Safety &EMC	Withstand voltage	-	
	Isolation Resistance	-	
	Surge	IEC/EN61000-4-5(P<25W; L-N:500V)	
	EMC Emission	EN55015, EN61000-3-2	
EMC Immunity	EN61000-4-2,3,4,5,6,8,11; EN61547		

Driver Datasheet (Triac Dimmable)

Total load wattage		8W	15W
Output	Rated output current	95mA	190mA
	Output Voltage range	DC60V-75V	
	Line Regulation	±5%	
	Setup, Rise Time	<0.5S	
	Flickering Index	<5%,IEEE1789 (LOW RISK)	
Input	Rated Input Voltage	AC220-240V	
	Input Voltage	AC198-264V	
	Frequency	50HZ	
	Rated Input Current	≤0.05A	≤0.08A
	Input Current	≤0.05A	≤0.09A
	Power Factor	0.9	
	THD	-	
	Efficiency	≥85%	
	No load wattage	<1W	
Protection	Short circuit protection	PASS	
	Over voltage protection	PASS	
	Over temperature protection	PASS	
Safety &EMC	Withstand voltage	-	
	Isolation Resistance	-	
	Surge	IEC/EN61000-4-5(P<25W; L-N:500V)	
	EMC Emission	EN55015, EN61000-3-2	
	EMC Immunity	EN61000-4-2,3,4,5,6,8,11; EN61547	

Datasheet (Sensor)

Sensor datasheet	
Operating voltage	DC3.3-12V
Power consumption	0.5Wmax
Microwave frequency	5.8GHz
Transmission power	<1mW
Detection angle	140°
Detection Area	4m~6m
Hold time	30S
Daylight sensor	10LUX
Stand-by DIM Level	-
Stand-by Period	-
Dimming Range	-
Microwave ON/OFF function	-
Installation Height	Recommended Installation Height: Wall mounted height 1.8m
Minimum mounting distance	Recommended mounting distance should be more than 2m
Operating temperature(°C)	-20°C-60°C

Induction Range:

