



ML330 Series

*Architectural
Lighting*

LED Mirror Light

Introduction

This ML330 oval mirror light embodies a perfect blend of elegance and minimalism, showcasing a captivating fusion of mirror and semi-globe elements. Crafted with precision, it utilizes ADC12 aluminium plate and features a PMMA semi-globe surface, ensuring a gentle and evenly distributed illumination. With its ability to provide diffused and reflected light, it serves as an ideal lighting solution for enhancing the ambience in front of any mirror.

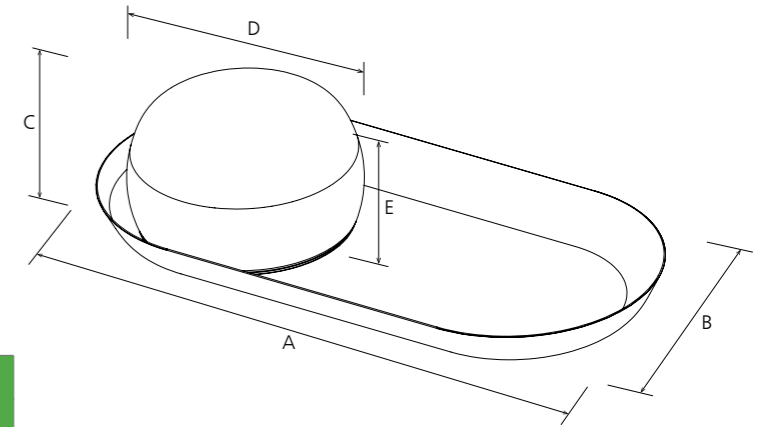
Features

- Modern design
- Soft illumination, reduce shadows
- Made to be installed as a pair
- Easy installation
- IP54 water proof level
- Interchangeable 3CCT with slide switch
- Traic dim

Application Areas

It's widely used in bathroom and dressing table from hotel, restaurant, home, etc.





Technical Data Sheet

Code		GUML330-5W	
Dimension(mm)		330*160*72	
Cutout (mm)		-	
Watt(W)		5W	
Rated Input Voltage		AC220-240V	
Input Voltage		AC198-264V	
LED Module Input		-	
Light Source		SMD	
SDCM		<6	
CCT(K)		1-CCT: 2700K/3000K/4000K/5000K 3-CCT: 3000K + 4000K + 5700K	
CCT Selection DIP Switch		Yes	
Luminous Flux (lm) ±5% CRI80	1-CCT	Non-DIM	-
		DIM	420-470
	3-CCT	Non-DIM	-
		DIM	420-470
CRI		>80, >90	
Beam Angle (°)		150°	
UGR		-	
LED Driver		Driver built-in	
Dimming Option		Triac	
Sensor		-	
Emergency Kits		No	
Electrical Class		Class I	
Ingress Protection(IP Rating)		IP54	
Impact Resistance(IK Rating)		-	
Product Finishing		White RAL9016	
Optics Material		PMMA	
Housing Material		Iron	
Lifetime (hr)		50,000h	
Glow wire test (°C)		650°C	
Operating Temp.(°C)		-20°C~45°C	
Storage Temp.(°C)		-20°C~65°C	
Installation		Wall mount	

Measurement

Model	Dimension(mm)					Size(mm)
	A	B	C	D	E	
GUML330-5W	330	160	72	127	70	330*160*72

Driver Datasheet (Triac Dimmable)

Total load wattage		5W
Output	Rated output current	60mA
	Output Voltage range	DC65V-75V
	Line Regulation	±5%
	Setup, Rise Time	<500ms @230V
	Flickering Index	<5%(NO RISK)
Input	Rated Input Voltage	AC220-240V
	Input Voltage	AC198-264V
	Frequency	50HZ
	Rated Input Current	≤0.03A
	Input Current	≤0.03A
	Power Factor	0.85
	THD	-
	Efficiency	≥84%
	No load wattage	<1W @230V
Protection	Short circuit protection	PASS
	Over voltage protection	PASS
	Over temperature protection	PASS
Safety &EMC	Withstand voltage	-
	Isolation Resistance	-
	Surge	IEC/EN61000-4-5(P<25W; L-N:500V, L/N-PE:1KV)
	EMC Emission	EN55015, EN61000-3-2
	EMC Immunity	EN61000-4-2,3,4,5,6,8,11; EN61547