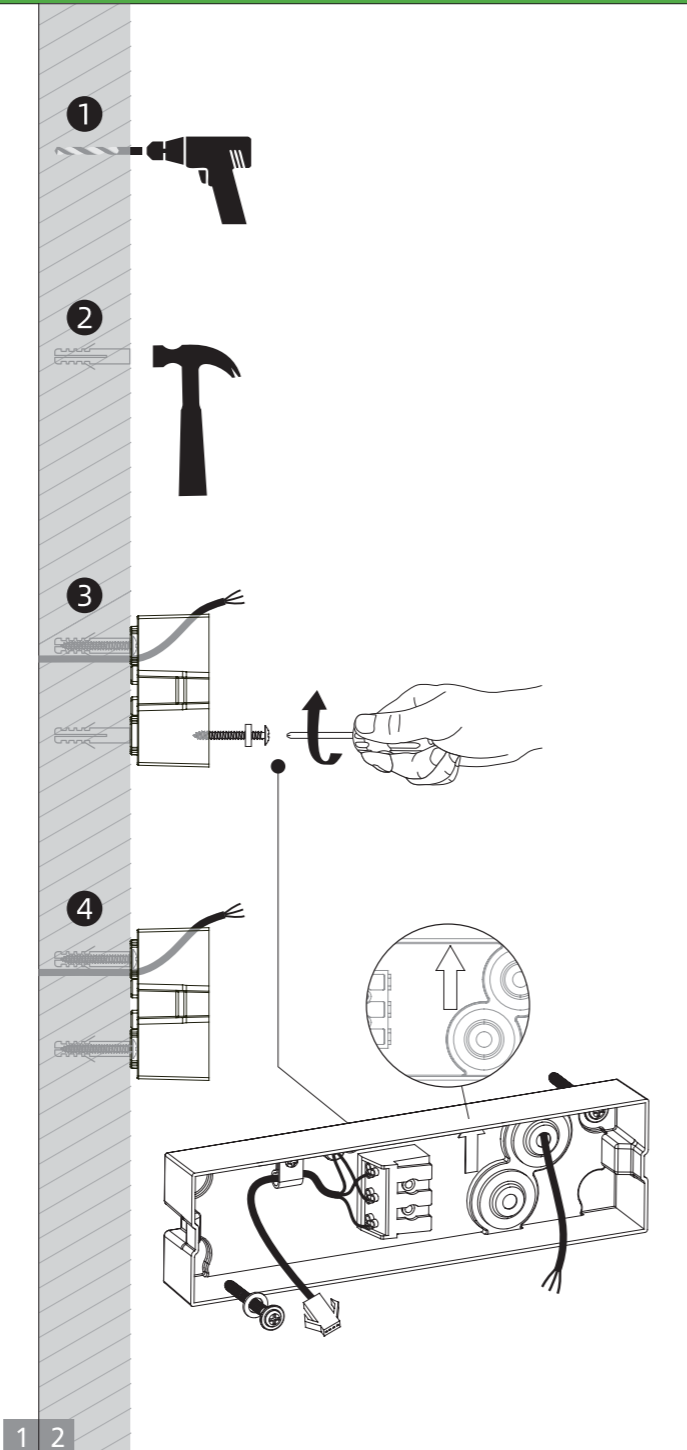
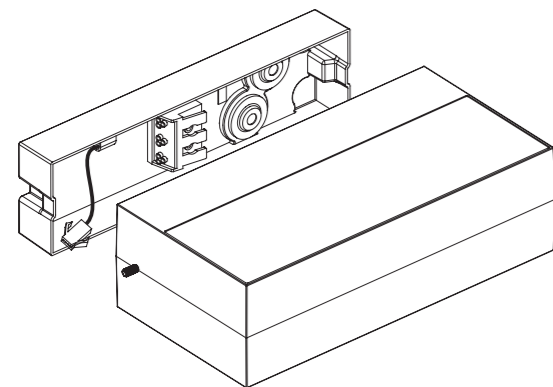
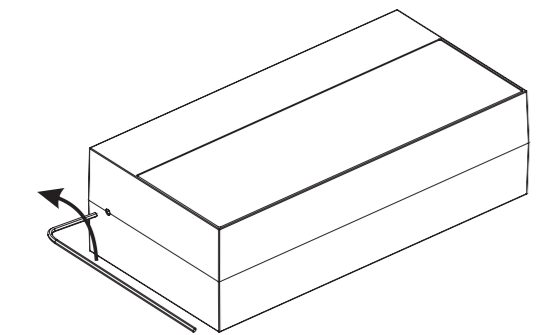
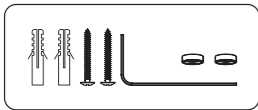


User Manual

WL100 Series Outdoor LED Wall Light

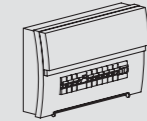
Wall mounted installation



WARNING



1. Switch off power supply before installation / maintenance.
2. Switch on after completing installation and examination of the circuit.
3. The Panel Light must be installed and maintained by professional electrician.



**Turn Off
Power Supply**

Before beginning any installation, turn off the power supply. To finish the installation correctly, read the instructions and make sure you have all the necessary tools and accessories.

