

DL131 Series

LED Downlight





Introduction

This downlight design is an extension that comes in various versions including trimless, trim, lens, and reflector. It utilizes a high lumen brand COB light source and features a unique optic lens and reflector design, ensuring a uniform light output and minimizing glare. The lamp body can be easily pulled out and rotated horizontally up to 350° and vertically up to 20°, allowing for versatile lighting applications. With a deep recessed module, it effectively reduces glare and provides a comfortable visual experience. Additionally, it offers the convenience of 3CCT adjustment through an integrated dip switch, enabling you to save on stock SKU.

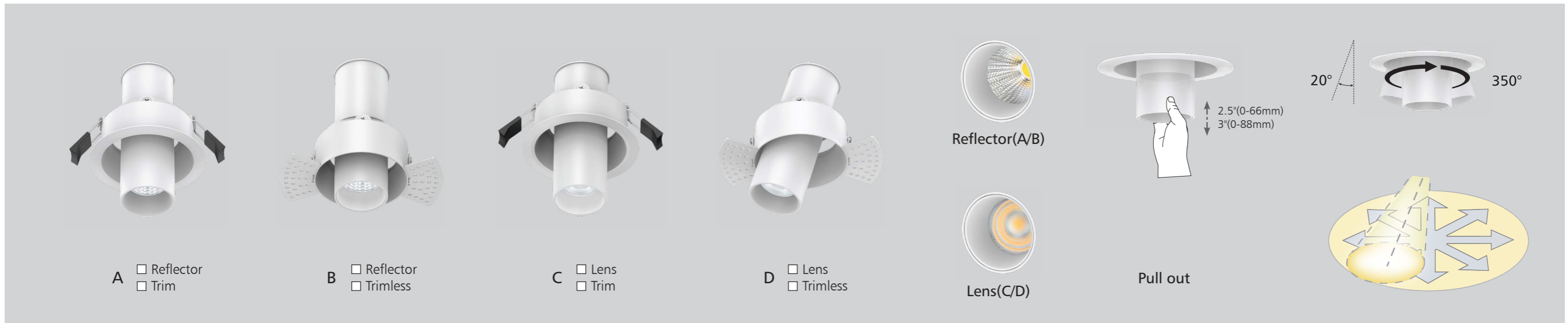
Features

- Four types options: Reflector/lens version match to trim/trimless version.
- Pull out the lamp body and do freely adjustment with wider angle.
- 350° horizontal rotation and 20° vertically rotation.
- Interchangeable CCT (2700K+3500K+5000K) with slide switch.
- AL6063 aluminum housing with great thermal management.
- Multiple beam angles: 20°/24°/36°/45°.
- External flicker free driver.
- Dimming ways: Triac.

Application Areas

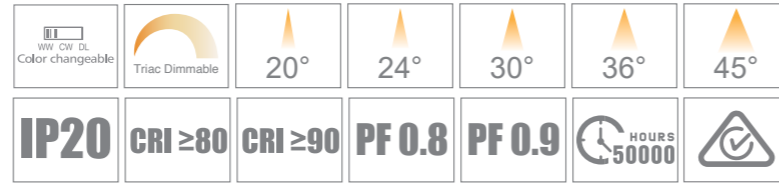
It is widely used in showroom, home, hotel, shopping mall etc.





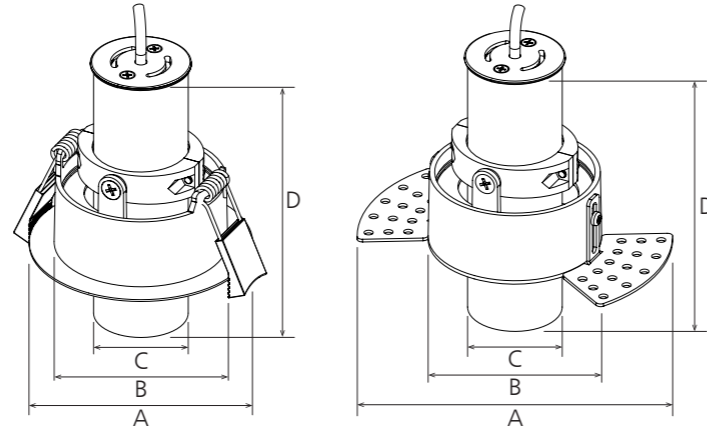
Technical Data Sheet

Code No.	GUDL131A-6W-2.5	GUDL131A-10W-3	GUDL131A-12W-3	GUDL131B-6W-2.5	GUDL131B-10W-3	GUDL131B-12W-3	GUDL131C-6W-2.5	GUDL131C-10W-3	GUDL131C-12W-3	GUDL131D-6W-2.5	GUDL131D-10W-3	GUDL131D-12W-3		
Dimension(mm)	Ø85*H111.5	Ø100*H131.5	Ø100*H131.5	Ø66*H111.5	Ø81*H131.5	Ø81*H131.5	Ø85*H111.5	Ø100*H131.5	Ø100*H131.5	Ø66*H111.5	Ø81*H131.5	Ø81*H131.5		
Cutout (mm)	Ø68-80	Ø82-95	Ø82-95	Ø70	Ø85	Ø85	Ø68-80	Ø82-95	Ø82-95	Ø70	Ø85	Ø85		
Watt(W)	6W	10W	12W	6W	10W	12W	6W	10W	12W	6W	10W	12W		
Rated Input Voltage(V)	AC230V			AC230V			AC230V			AC230V				
Input Voltage(V)	AC200-240V			AC200-240V			AC200-240V			AC200-240V				
LED Module Input	-			-			-			-				
Light Source	COB			COB			COB			COB				
SDCM	<5			<5			<5			<5				
CCT(K)	1-CCT:2700K/3000K/4000K/5000K			1-CCT:2700K/3000K/4000K/5000K			1-CCT:2700K/3000K/4000K 3-CCT:2700K+3500K+5000K			1-CCT:2700K/3000K/4000K 3-CCT:2700K+3500K+5000K				
CCT Selection DIP Switch	-			-			YES			YES				
Luminous Flux (lm) ±5% (White)	Non-DIM	1-CCT	520-600	850-1000	1050-1250	520-600	850-1000	1050-1250	540-620	1050-1200	1300-1450	540-620	1050-1200	1300-1450
	DIM		520-600	800-940	980-1180	520-600	800-940	980-1180	540-620	980-1130	1220-1360	540-620	980-1130	1220-1360
	Non-DIM	3-CCT	-	-	-	-	-	-	360-500	680-850	800-1100	360-500	680-850	800-1100
	DIM		-	-	-	-	-	-	360-500	640-800	750-1030	360-500	640-800	750-1030
Black color decrease 10% lumen														
CRI	80			80			1-CCT:80 3-CCT:90			1-CCT:80 3-CCT:90				
Beam Angle (°)	20° 24° 36°			20° 24° 36°			24° 36°			24° 45°(1-CCT) / 30° 45°(3-CCT)				
UGR	-			-			-			-				
LED Driver	Built-out			Built-out			Built-out			Built-out				
Dimming Option	Triac			Triac			Triac			Triac				
Sensor	NO			NO			NO			NO				
Emergency Kits	NO			NO			NO			NO				
Electrical Class	Class II			Class II			Class II			Class II				
Ingress Protection (IP Rating)	IP20			IP20			IP20			IP20				
Impact Resistance (IK Rating)	-			-			-			-				
Product Finishing(Base)	White RAL9016 & Black RAL9005			White RAL9016 & Black RAL9005			White RAL9016 & Black RAL9005			White RAL9016 & Black RAL9005				
Materials of Optics	Reflector: PC			Reflector: PC			Lens: PMMA			Lens: PMMA				
Materials of Housing	Aluminium die casting			Aluminium die casting			Aluminium die casting			Aluminium die casting				
Lifetime (hr)	50,000h			50,000h			50,000h			50,000h				
Glow wire test (°C)	750°C			750°C			750°C			750°C				
Operating Temp. (°C)	-20°C~40°C			-20°C~40°C			-20°C~40°C			-20°C~40°C				
Storage Temp. (°C)	-20°C~65°C			-20°C~65°C			-20°C~65°C			-20°C~65°C				
Installation	Recessed			Recessed			Recessed			Recessed				



Measurement

Code	Dimension(mm)				Size(mm)
	A	B	C	D	
GUDL131A-2.5	Ø85	Ø66	Ø36	111.5	Ø85*111.5
GUDL131B-2.5	Ø120	Ø66	Ø36	111.5	Ø66*111.5
GUDL131C-2.5	Ø85	Ø66	Ø36	111.5	Ø85*111.5
GUDL131D-2.5	Ø120	Ø66	Ø36	111.5	Ø66*111.5
GUDL131A-3	Ø100	Ø81	Ø46	131.5	Ø100*131.5
GUDL131B-3	Ø140	Ø81	Ø46	131.5	Ø81*131.5
GUDL131C-3	Ø100	Ø81	Ø46	131.5	Ø100*131.5
GUDL131D-3	Ø140	Ø81	Ø46	131.5	Ø81*131.5



Driver Datasheet(Non-dimmable)

Total load wattage		6W	10W	12W
Output	Output Voltage range	DC28-40V		DC30-40V
	Rated output current	130mA	230mA	300mA
	Line Regulation	±5%		
	Setup, Rise Time	≤500ms @230V		
	Flickering Index	1%(NO RISK)	0.5%(NO RISK)	
Input	Input Voltage	200-264V		
	Rated Input Voltage(V)	220-240V		
	Frequency	50/60Hz		
	Input Current	≤0.04A	≤0.06A	≤0.07A
	Rated Input Current	≤0.04A	≤0.05A	≤0.07A
	Power Factor	0.85	0.9	
	THD	<20% @230V		
	Efficiency	≥77%	≥86%	
	No load wattage	<0.5W@230V		
Protection	Short circuit protection	PASS		
	Over voltage protection	PASS		
	Over temperature protection	PASS		
Safety & EMC	Withstand voltage	I/P-O/P:3.75KVac,<5mA 60S		
	Isolation Resistance	I/P-O/P: 500VDC, ≥100M Ω		
	Surge	IEC/EN61000-4-5(L-N:0.5KV)		
	EMC Emission	IEC/EN55015, IEC/EN61000-3-2		
	EMC Immunity	EC/EN61000-4-2,3,4,5,6,8,11; IEC/EN61547		

Driver Datasheet(Triac Dimmable)

Total load wattage		6W	10W	12W
Output	Output Voltage range	DC24-38V	DC30-40V	
	Rated output current	130mA	230mA	280mA
	Line Regulation	±5%		
	Setup, Rise Time	≤500ms @230V		
	Flickering Index	1%(NO RISK)	0.5%(NO RISK)	
Input	Input Voltage	200-264V		
	Rated Input Voltage(V)	220-240V		
	Frequency	50Hz		
	Input Current	≤0.04A	≤0.06A	≤0.07A
	Rated Input Current	≤0.04A	≤0.05A	≤0.07A
	Power Factor	0.8	0.9	
	THD	<20% @230V		
	Efficiency	≥76%	≥80%	
	No load wattage	<0.5W@230V		
	Protection	Short circuit protection	PASS	
Over voltage protection		PASS		
Over temperature protection		PASS		
Safety & EMC	Withstand voltage	I/P-O/P:3.75KVac,<5mA 60S		
	Isolation Resistance	I/P-O/P: 500VDC, ≥100M Ω		
	Surge	IEC/EN61000-4-5(L-N:0.5KV)		
	EMC Emission	IEC/EN55015, IEC/EN61000-3-2		
	EMC Immunity	EC/EN61000-4-2,3,4,5,6,8,11; IEC/EN61547		