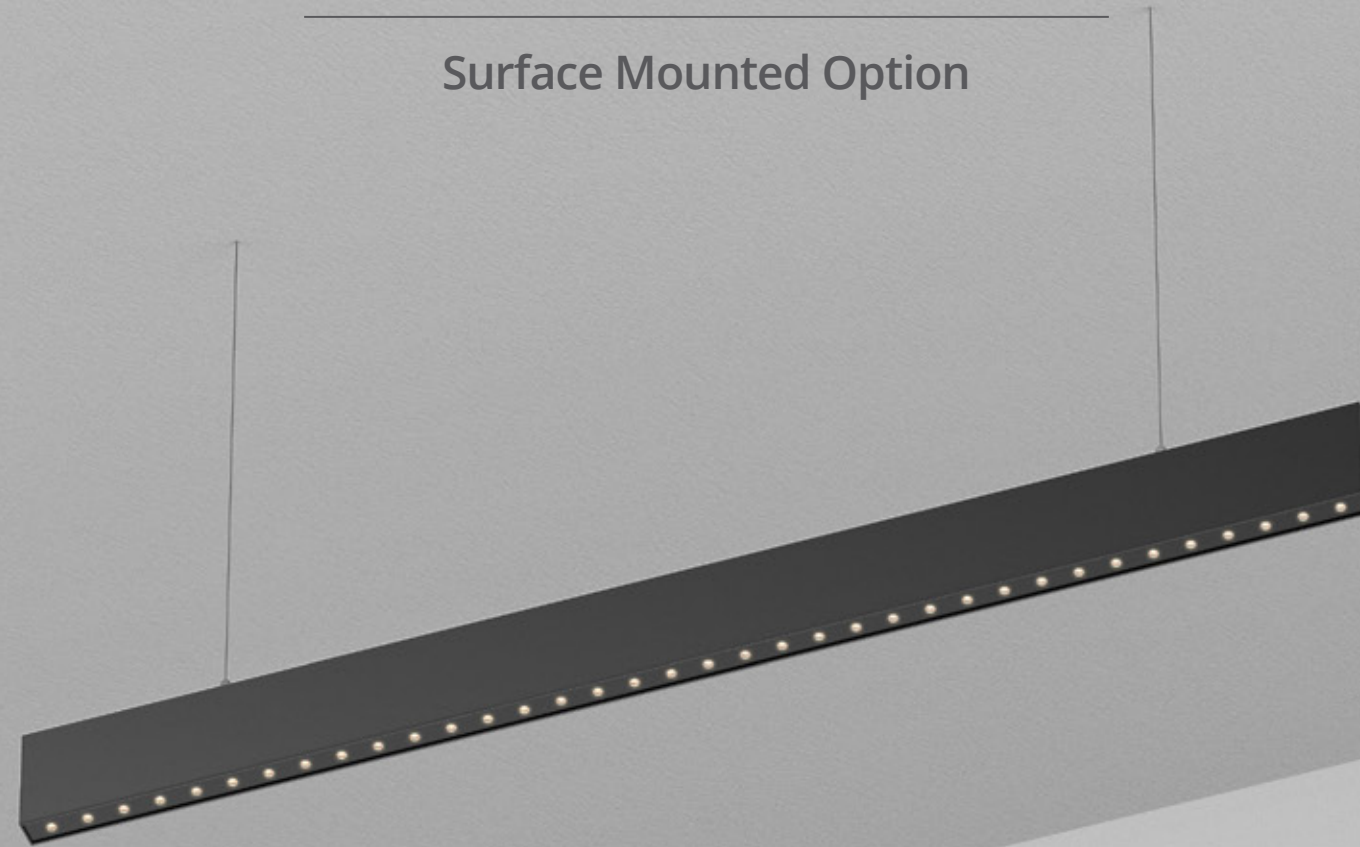


# Linear LS29 Series

LED Pendant Light

Surface Mounted Option







## Introduction

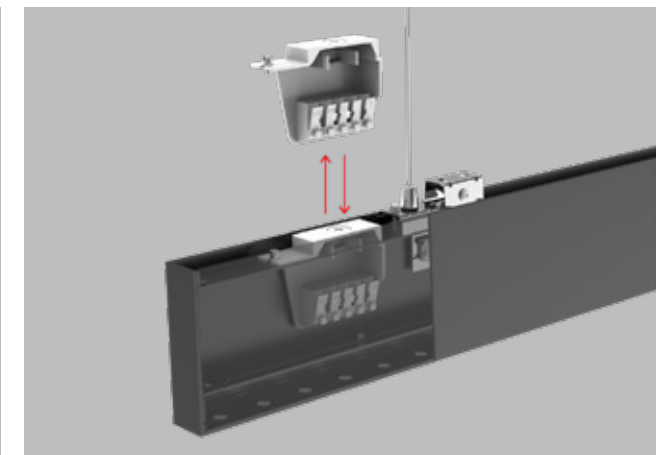
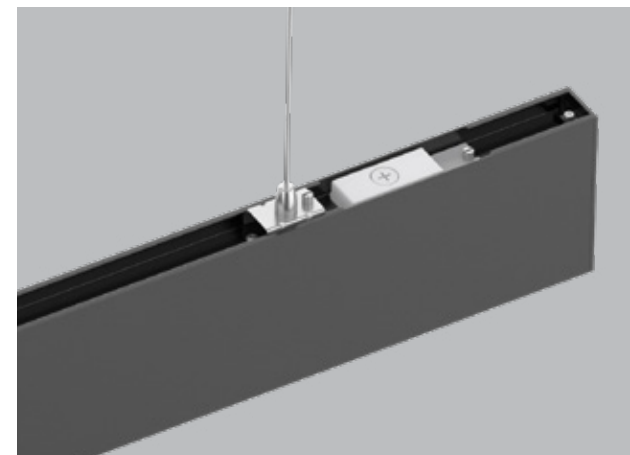
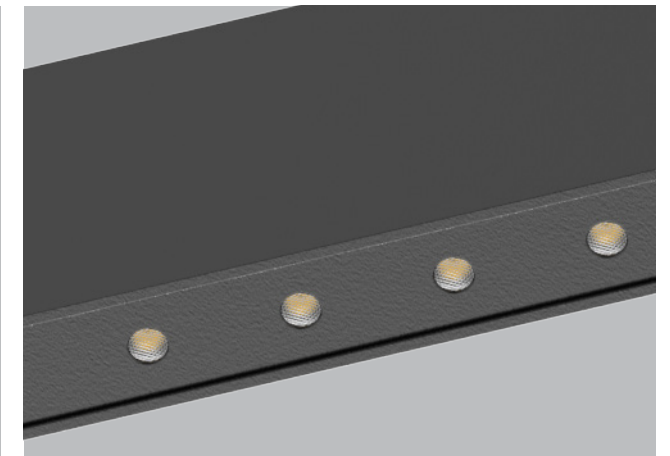
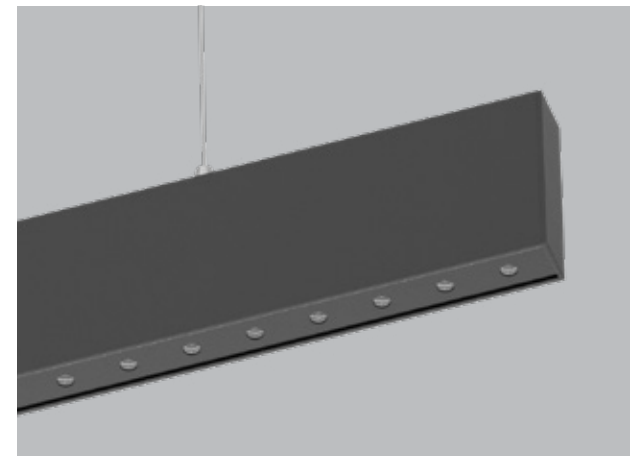
The graceful design of this ultra-thin linear light, which has a modest and lovely appearance and blends well into its surroundings, helps users feel less cramped. To produce exact key lighting, the internal lens is focused via optical refraction, which also reduces glare and reaches  $UGR < 19$  for a comfortable viewing experience. The entire lamp body is built of AL6063 aluminium, which provides excellent thermal management and ensures a textured appearance.

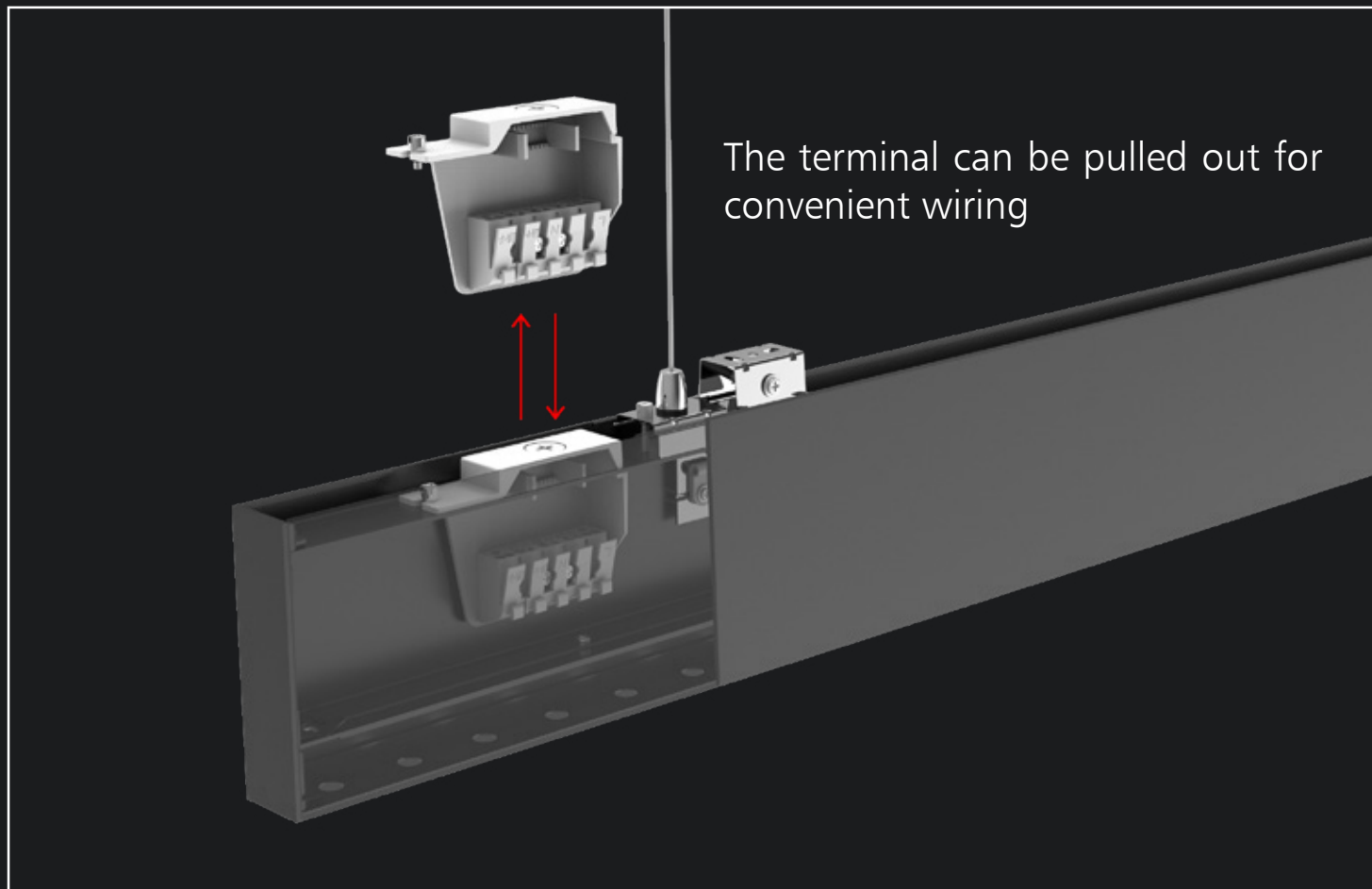
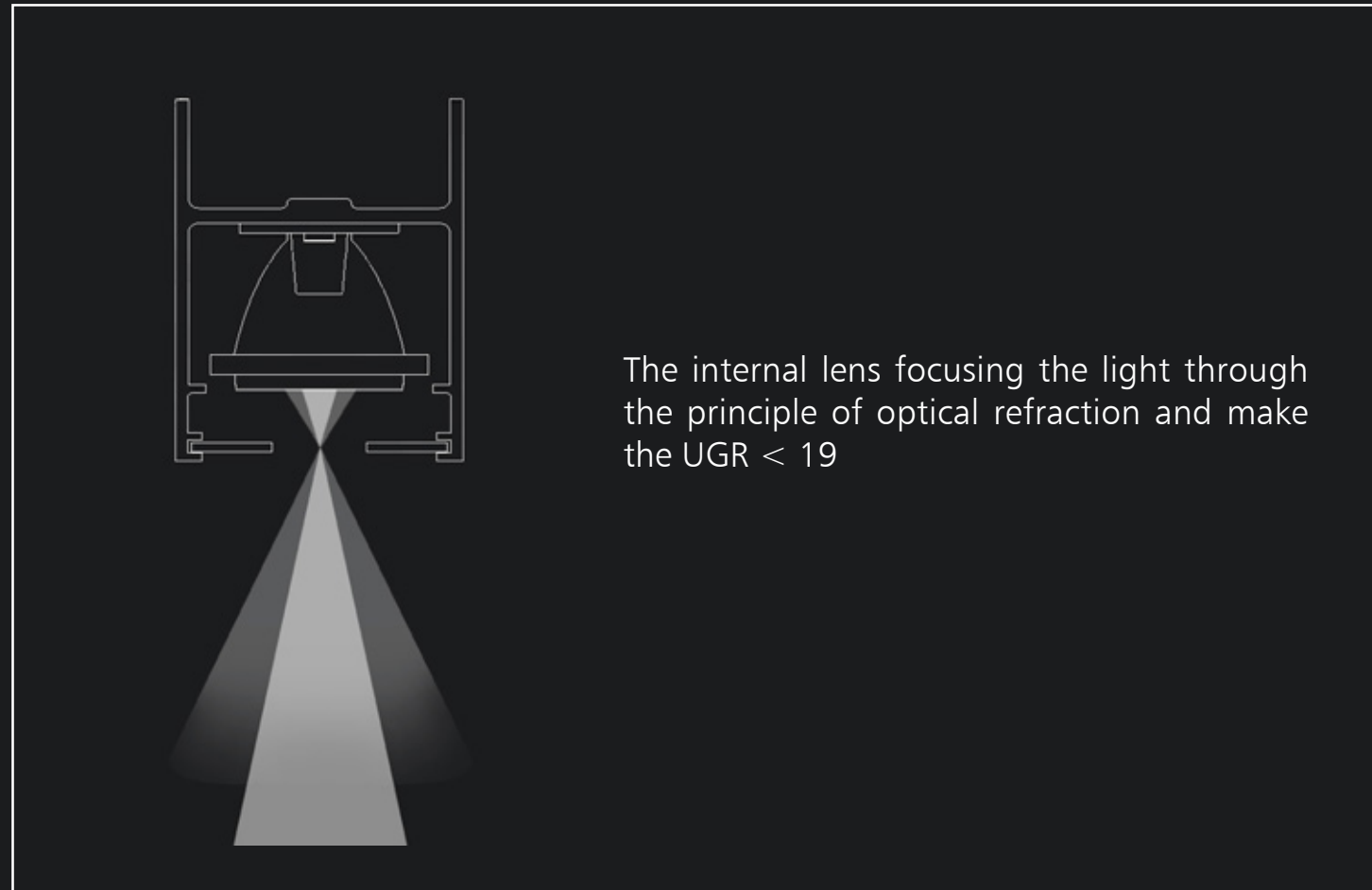
## Features

- Special optic design to reach precise key lighting
- Anti-glare design with  $UGR < 19$
- AL6063 aluminium lamp body offers great thermal management
- Finished color: White RAL9016, Black RAL9005
- Installation: Surface mount / Pendant
- Dimming way: Triac, DALI
- Internal flicker free driver

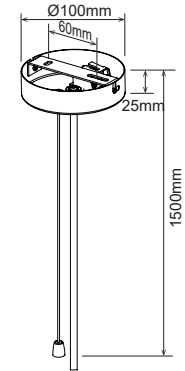
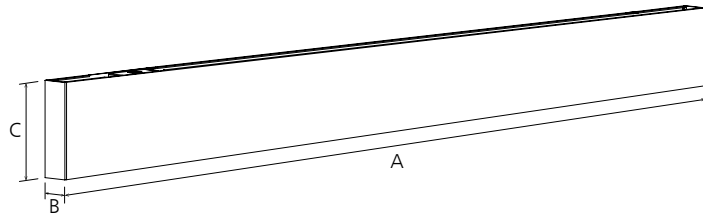
## Application Areas

It is designed for indoor applications in office, restaurant, hotel, cafe, bar, museum etc.

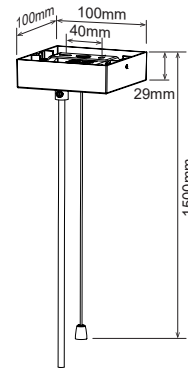








Round ceiling plate



Square ceiling plate

Suspended Cable Color Table

Product Finishing	Suspended Cable	Dimming Option
White	White	Non-Dim/Triac Dim
Black	Black	Non-Dim/Triac Dim
White/Black	Transparent	DALI Dim

## Measurement

Model	Dimension(mm)			Size(mm)
	A	B	C	
GULIN-28W-LS29-1200	1200	29	103	1200*29*103
GULIN-34W-LS29-1600	1595	29	103	1595*29*103
GULIN-40W-LS29-2000	1990	29	103	1990*29*103
GULIN-42W-LS29-2000	1990	29	103	1990*29*103

Code	GULIN-28W-LS29-1200		GULIN-34W-LS29-1600		GULIN-40/42W-LS29-2000	
Dimension(mm)	1200*29*103		1595*29*103		1990*29*103	
Cutout (mm)	-					
Watt(W)	28W		34W	40W(Non-dim/DALI)	42W(Triac)	
Rated Input Voltage	AC 220-240V					
Input Voltage	AC198-264V					
LED Module Input	-					
Light Source	SMD					
SDCM	<6					
CCT(K)	1-CCT:2700K/ 3000K/4000K/5000K					
CCT Selection DIP Switch	-					
Luminous Flux (lm) ±5%	1-CCT	Non-DIM	1800-2250	2250-2800	2500-3100	
		DIM	1800-2250	2250-2800	2500-3100	
CRI80	3-CCT	Non-DIM	-			
		DIM	-			
CRI	80					
Beam Angle (°)	30°					
UGR	<19					
LED Driver	Built-in					
Dimming Option	Triac / DALI					
Sensor	NO					
Emergency Kits	NO					
Electrical Class	Class I					
Ingress Protection(IP Rating)	IP20					
Impact Resistance(IK Rating)	-					
Product Finishing	White RAL9016; Black RAL9005					
Optics Material	PC					
Housing Material	Aluminium					
Lifetime (hr)	50,000h					
Glow wire test (°C)	750°C					
Operating Temp.(°C)	-20°C-45°C					
Storage Temp.(°C)	-20°C~65°C					
Installation	Surface mount / Pendant					

## Driver Datasheet (Non-dimmable)

Total load wattage		28W	34W	40W
Output	Rated output current	700mA	850mA	1050mA
	Output Voltage range	DC28-40V		
	Line Regulation	±5%		
	Setup, Rise Time	≤0.5S		
	Flickering Index	<0.5% (NO RISK)		
Input	Rated Input Voltage	AC220-240V		
	Input Voltage	AC198-264V		
	Frequency	50/60HZ		
	Rated Input Current	≤0.15A	≤0.18A	≤0.21A
	Input Current	≤0.16A	≤0.19A	≤0.23A
	Power Factor	0.9		
	THD	<20% @230V		
	Efficiency	≥86%	≥88%	≥88%
	No load wattage	<0.5W		
Protection	Short circuit protection	PASS		
	Over voltage protection	PASS		
	Over temperature protection	PASS		
Safety & EMC	Withstand voltage	I/P-O/P:3.75KVac, <5mA 60S		
	Isolation Resistance	I/P-O/P: 500VDC, ≥100M Ω		
	Surge	IEC/EN61000-4-5( P<25W; L-N:0.5kV)		
	EMC Emission	EN55015, IEC/EN61000-3-2		
	EMC Immunity	IEC/EN61000-4-2,3,4,5,6,8,11; IEC/EN61547		

## Driver Datasheet (Triac Dimmable)

Total load wattage		28W	34W	42W
Output	Rated output current	700mA	850mA	1050mA
	Output Voltage range	DC28-40V		
	Line Regulation	±5%		
	Setup, Rise Time	<0.5S		
	Flickering Index	<5%(LOW RISK)		
Input	Rated Input Voltage	AC220-240V		
	Input Voltage	AC198-264V		
	Frequency	50Hz		
	Rated Input Current	<0.15A	<0.18A	<0.22A
	Input Current	<0.16A	<0.20A	<0.24A
	Power Factor	0.9		
	THD	<20%		
	Efficiency	>84%		
	No load wattage	<1W		
Protection	Short circuit protection	PASS		
	Over voltage protection	PASS		
	Over temperature protection	PASS		
Safety & EMC	Withstand voltage	I/P-FG:1.5KVac, <5mA 60S		
	Isolation Resistance	500VDC, ≥2M Ω		
	Surge	IEC/EN61000-4-5 (P≥25w L-N:1KV, L/N-PE:2KV)		
	EMC Emission	EN55015, EN61000-3-2		
	EMC Immunity	EN61000-4-2,3,4,5,6,8,11; EN61547		

## Driver Datasheet (DALI Dimmable)

Total load wattage		28W	34W	40W
Output	Rated output current	700mA	850mA	1050mA
	Output Voltage range	DC28-40V		
	Line Regulation	±5%		
	Setup, Rise Time	<1S @230V		
	Flickering Index	1%(NO RISK)		
Input	Rated Input Voltage	AC220-240V		
	Input Voltage	AC198-264V		
	Frequency	50/60HZ		
	Rated Input Current	≤0.15A	≤0.18A	≤0.21A
	Input Current	≤0.16A	≤0.20A	≤0.23A
	Power Factor	0.9		
	THD	<20% @230V		
	Efficiency	≥85%		
	No load wattage	<0.5w @230V		
Protection	Short circuit protection	PASS		
	Over voltage protection	PASS		
	Over temperature protection	PASS		
Safety & EMC	Withstand voltage	I/P-FG:1.5kVac, <5mA 60S		
	Isolation Resistance	500VDC, ≥2M Ω		
	Surge	IEC/EN61000-4-5 (P≥25w L-N:1KV, L/N-PE:2KV)		
	EMC Emission	EN55015, EN61000-3-2		
	EMC Immunity	EN61000-4-2,3,4,5,6,8,11; EN61547		



**Greenlux Lighting**

37 Chelmsford Street,  
Williamstown North VIC 3016 Australia

Ph: 1300 650 625 / +61 3 8560 2895

Email: [enquiries@greenlux.com.au](mailto:enquiries@greenlux.com.au)

Website: [www.greenlux.com.au](http://www.greenlux.com.au)