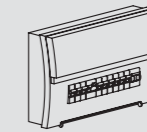


User Manual

Linear LS29 Series LED Pendant Light (Surface Mounted Option)

WARNING ⚡

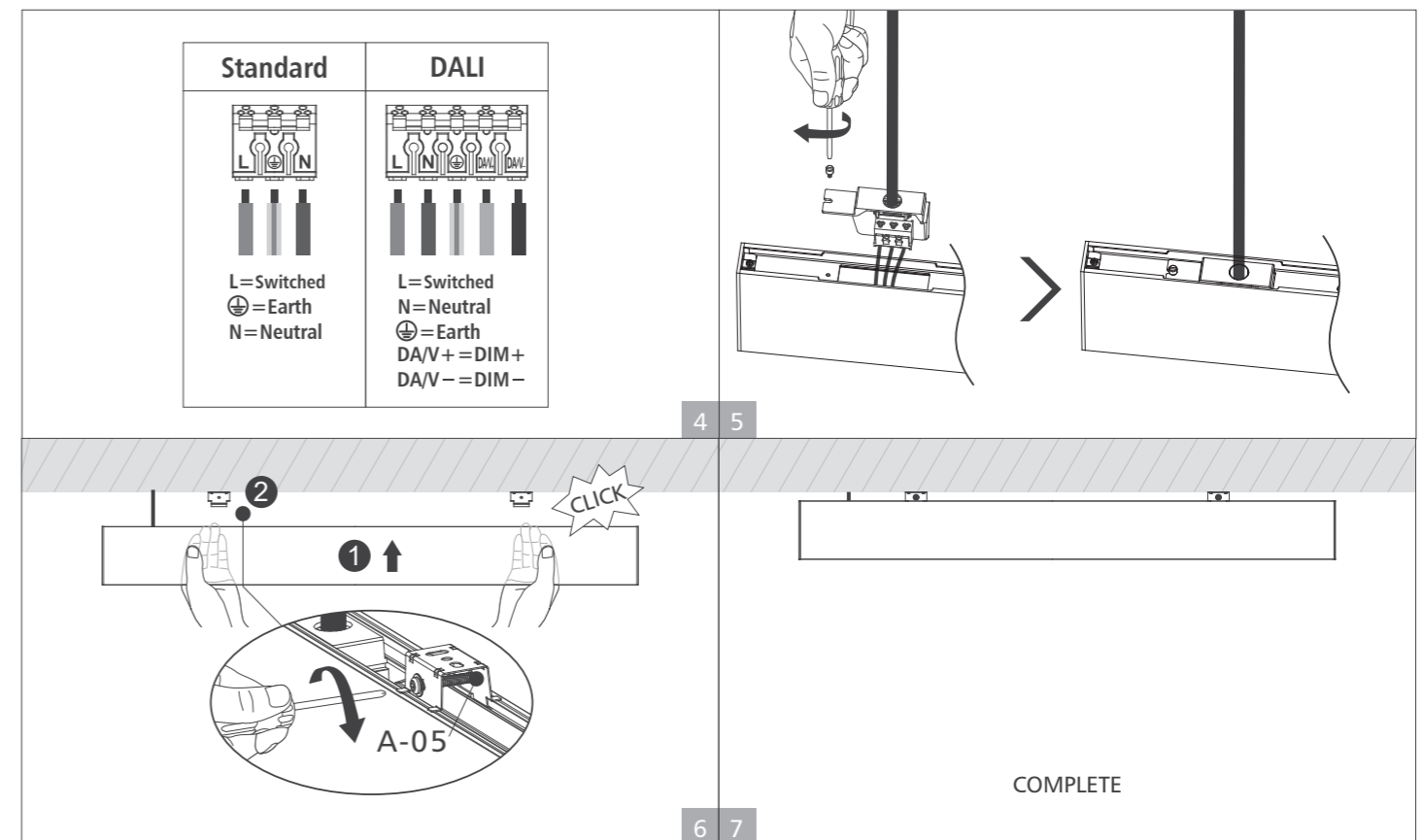
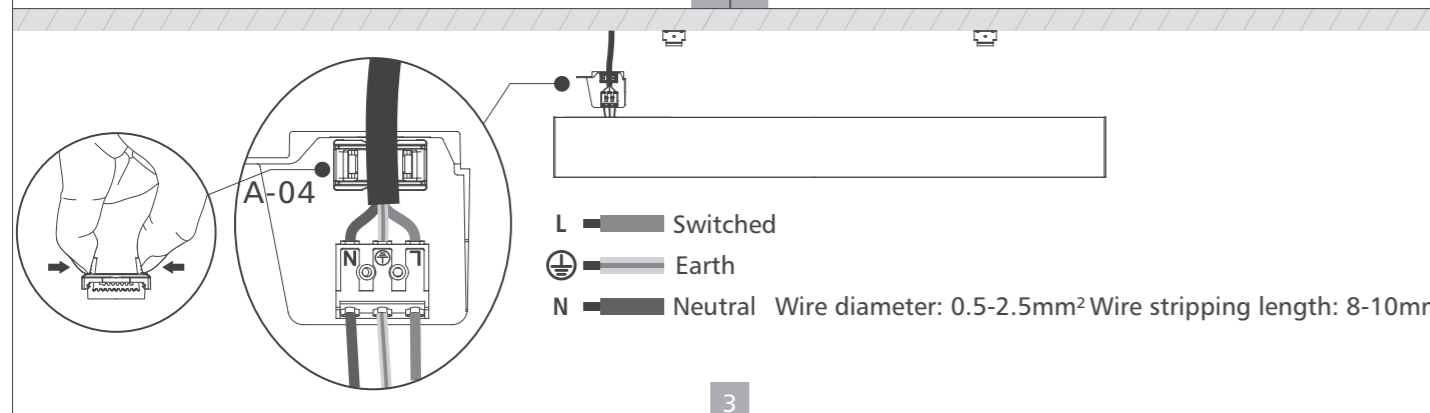
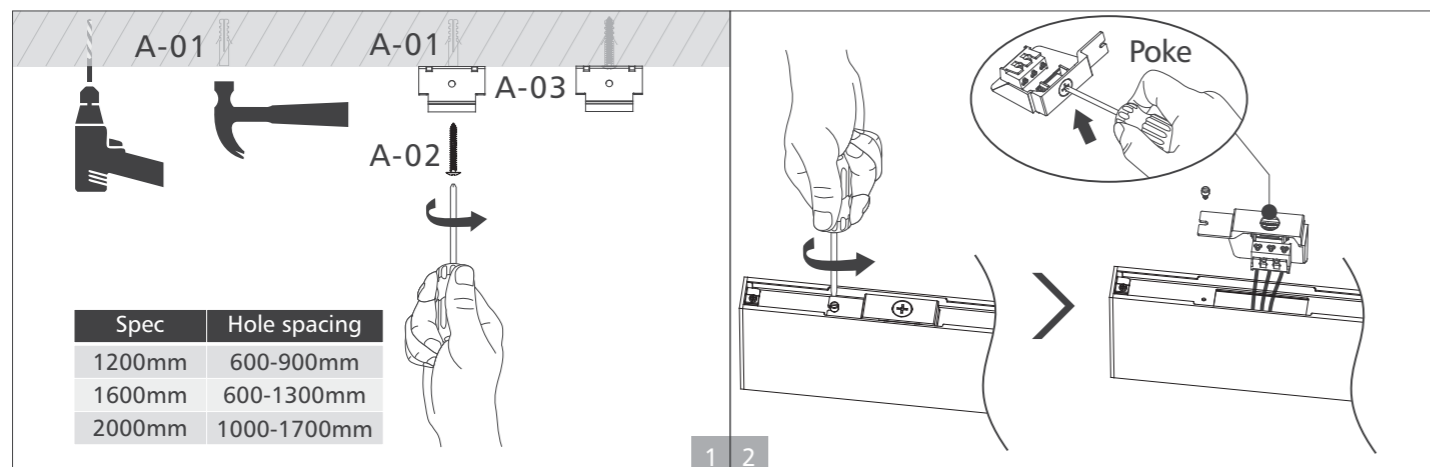
1. Switch off power supply before installation / maintenance.
2. Switch on after completing installation and examination of the circuit.
3. The Panel Light must be installed and maintained by professional electrician.




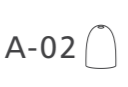

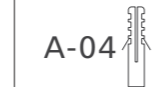



Before beginning any installation, turn off the power supply. To finish the installation correctly, read the instructions and make sure you have all the necessary tools and accessories.

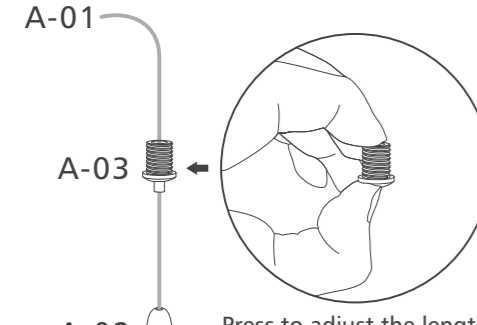
Surface mount installation

Code	A-01	A-02	A-03	A-04	A-05
ACC	x2	x2	x2	x1	x2

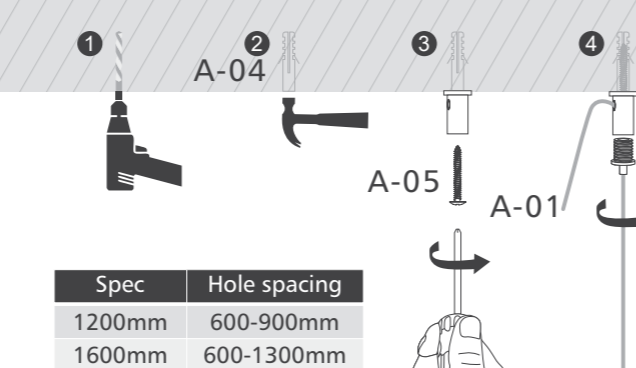


Pendant installation (Without round ceiling plate)

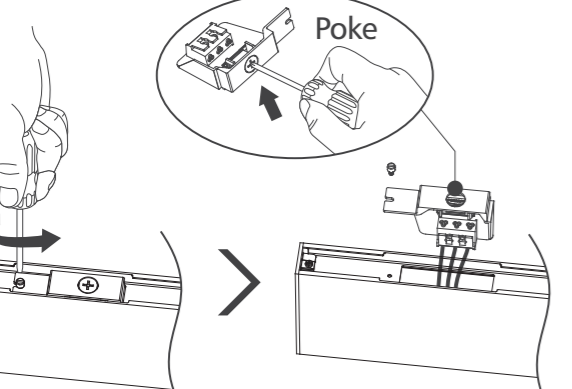
Code	A-01 	A-02 	A-03 	A-04 	A-05 	A-06 	A-07 
ACC	x2	x2	x2	x2	x2	x2	x1



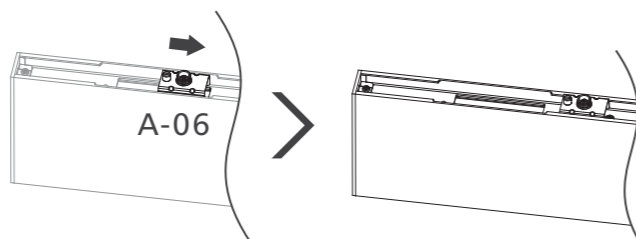
Press to adjust the length of the suspension wire

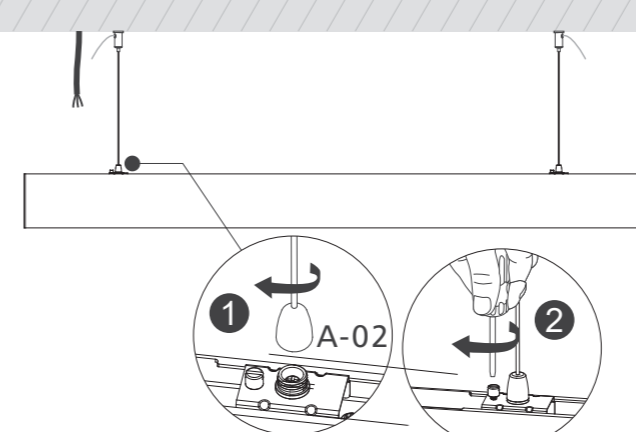


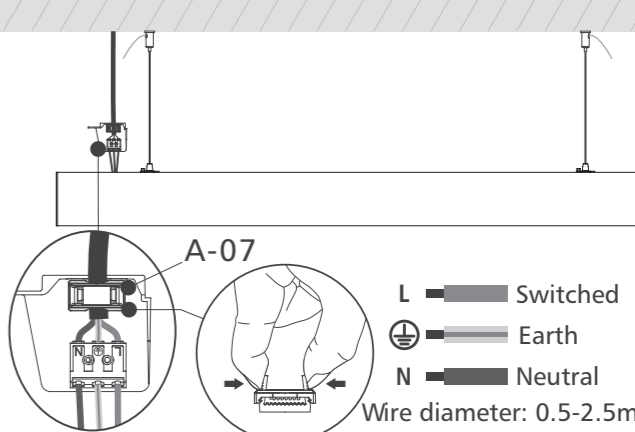
Spec	Hole spacing
1200mm	600-900mm
1600mm	600-1300mm
2000mm	1000-1700mm




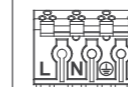
Poke

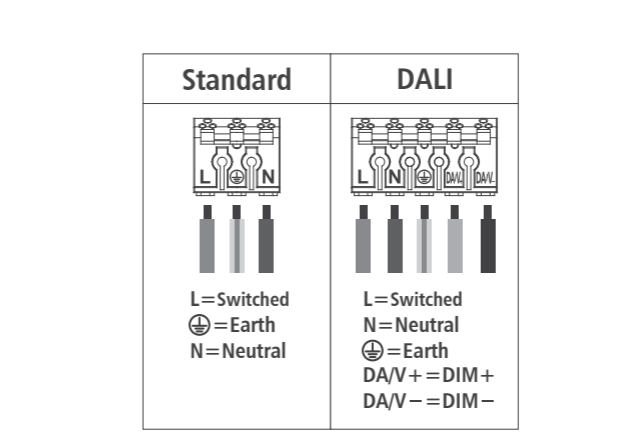


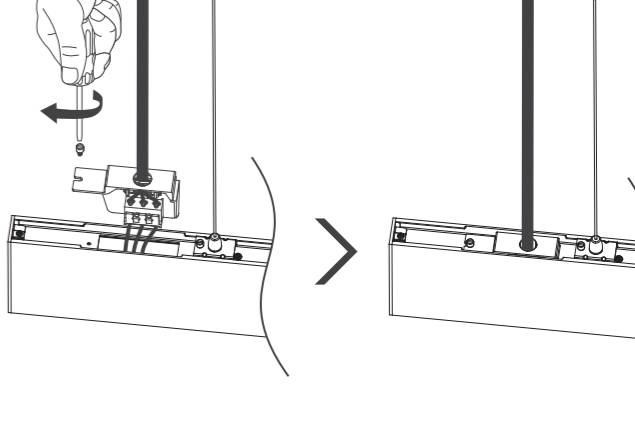


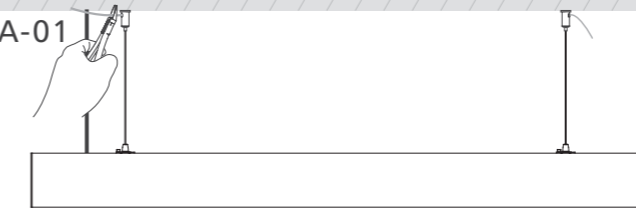


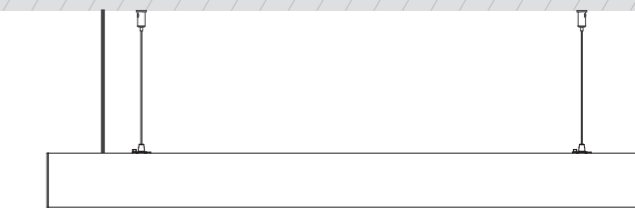
Wire diameter: 0.5-2.5mm²
Wire stripping length: 8-10mm

Standard	DALI
 <p>L=Switched ⊕=Earth N=Neutral</p>	 <p>L=Switched N=Neutral ⊕=Earth DA/V+=DIM+ DA/V-=DIM-</p>





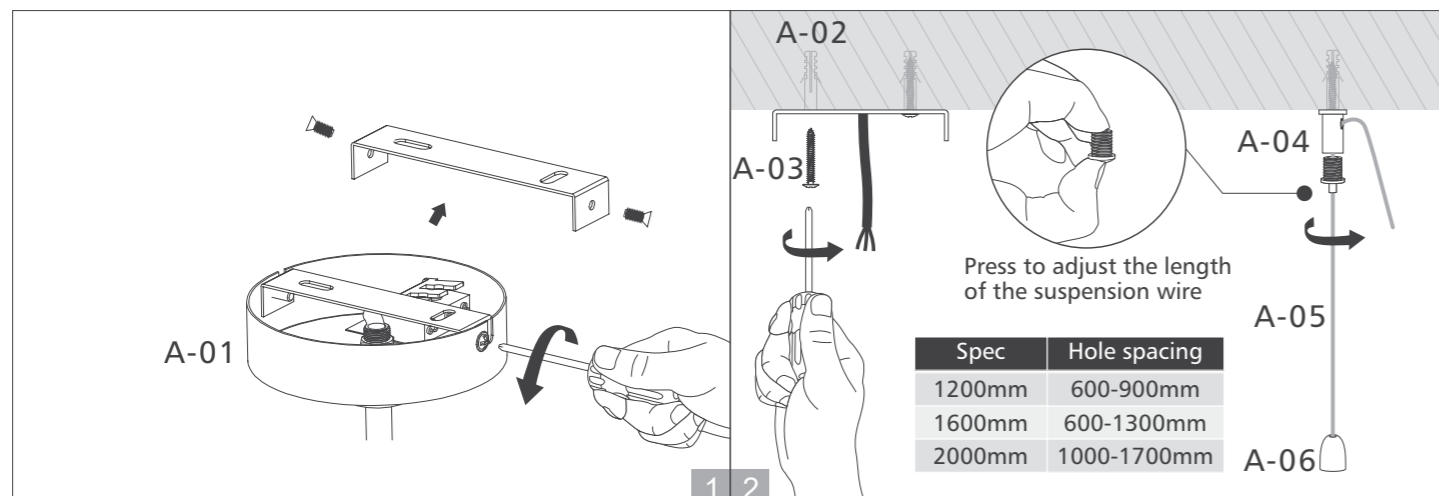




COMPLETE

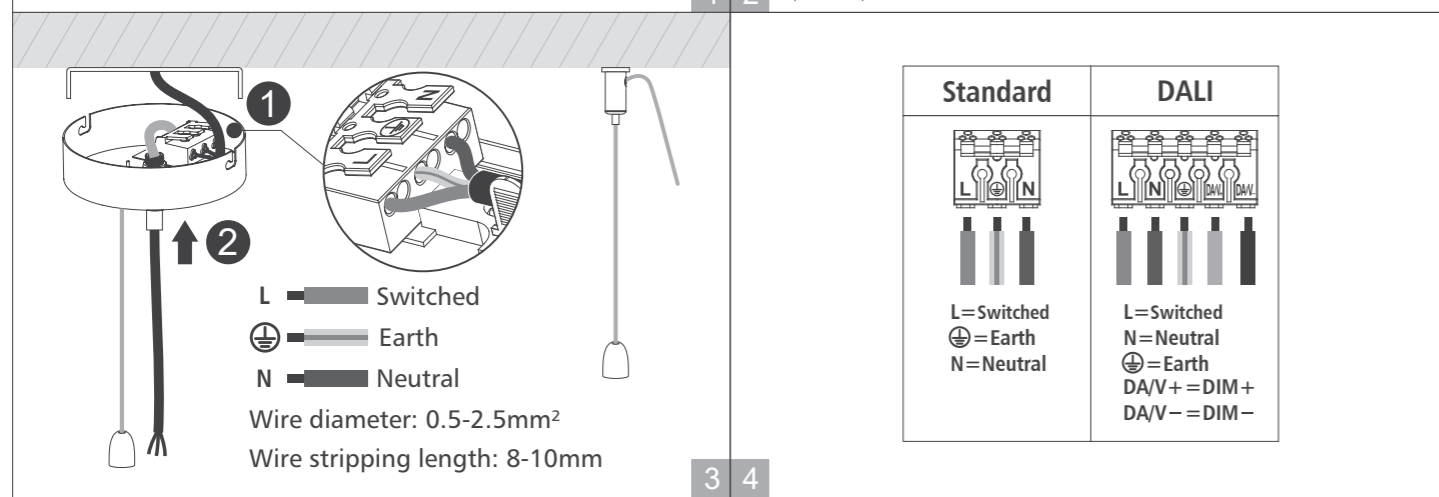
Pendant installation (Without round ceiling plate)

Code	A-01	A-02	A-03	A-04	A-05	A-06	A-07	A-08
ACC	x1	x3	x3	x1	x2	x2	x2	x1



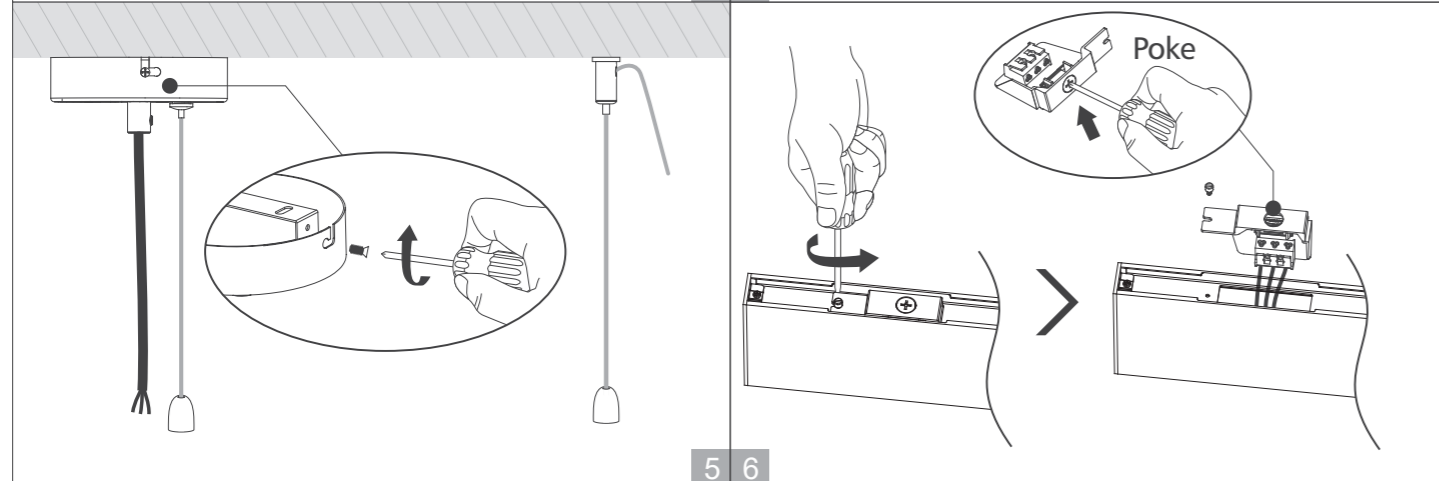
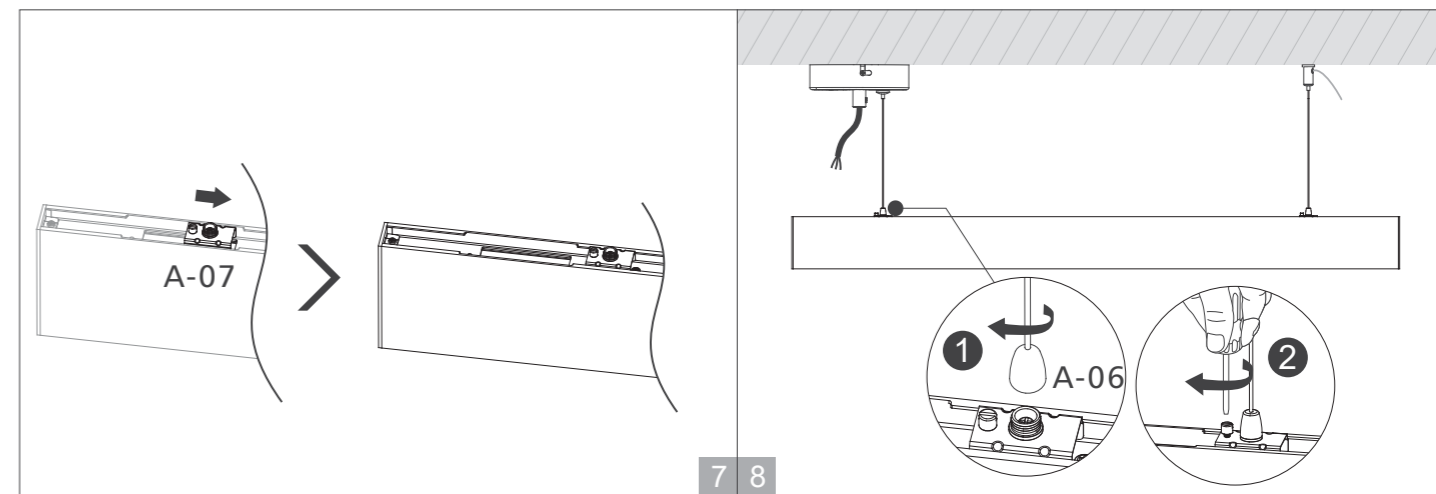
Press to adjust the length of the suspension wire

Spec	Hole spacing
1200mm	600-900mm
1600mm	600-1300mm
2000mm	1000-1700mm



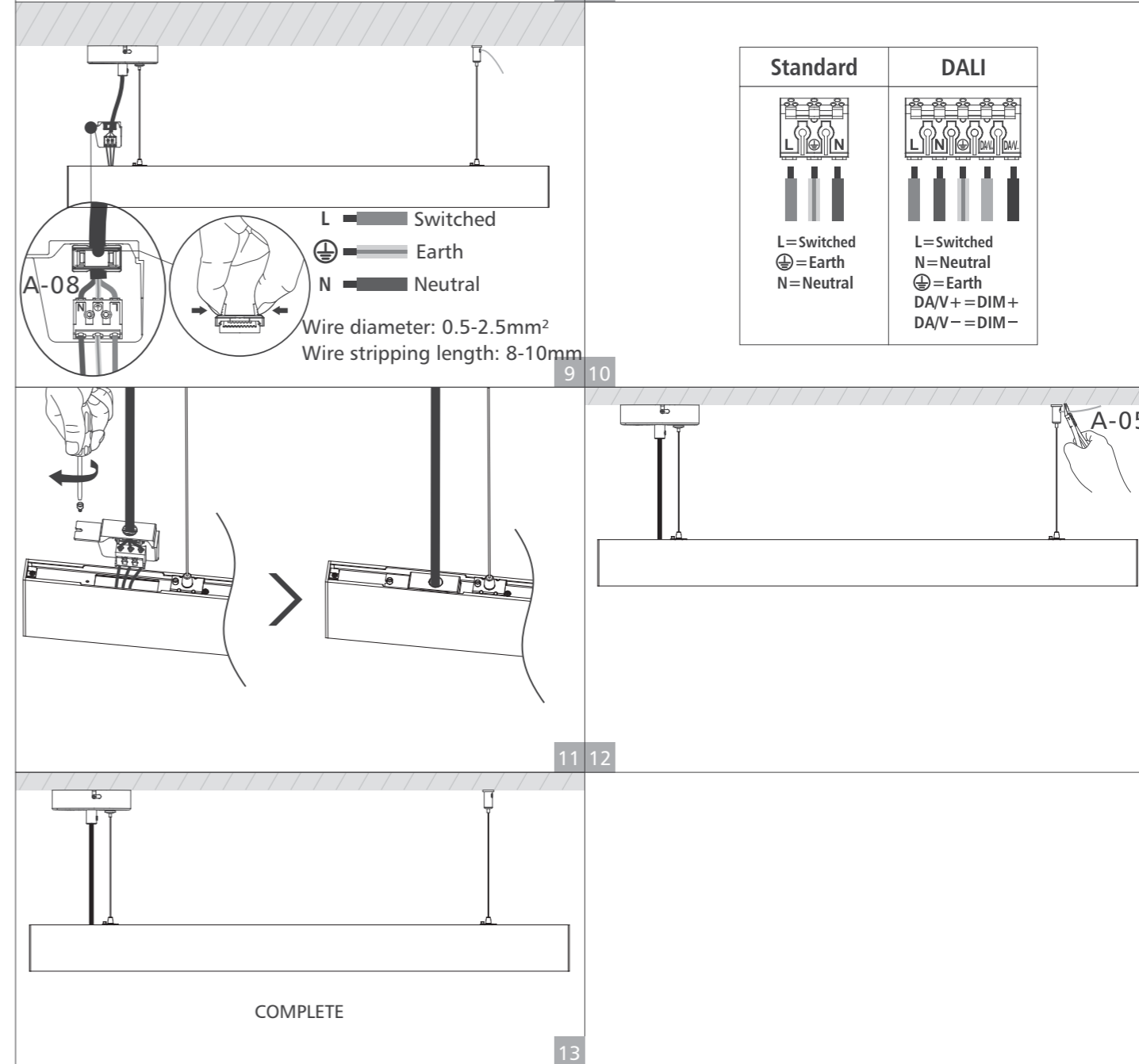
Standard	DALI
L = Switched ⊕ = Earth N = Neutral	L = Switched N = Neutral ⊕ = Earth DA/V+ = DIM+ DA/V- = DIM-

Wire diameter: 0.5-2.5mm²
Wire stripping length: 8-10mm

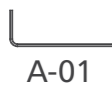

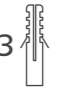
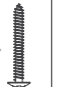



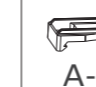

Standard	DALI
L = Switched ⊕ = Earth N = Neutral	L = Switched N = Neutral ⊕ = Earth DA/V+ = DIM+ DA/V- = DIM-

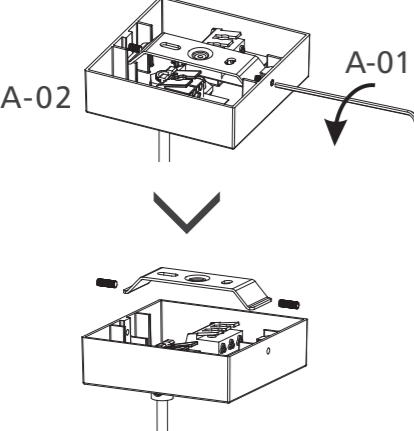
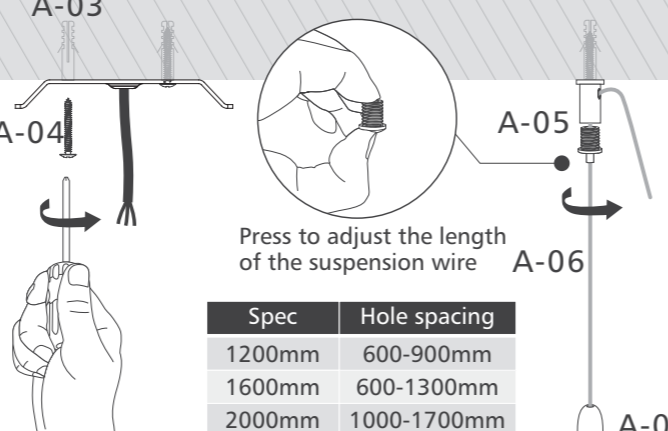
Wire diameter: 0.5-2.5mm²
Wire stripping length: 8-10mm



COMPLETE

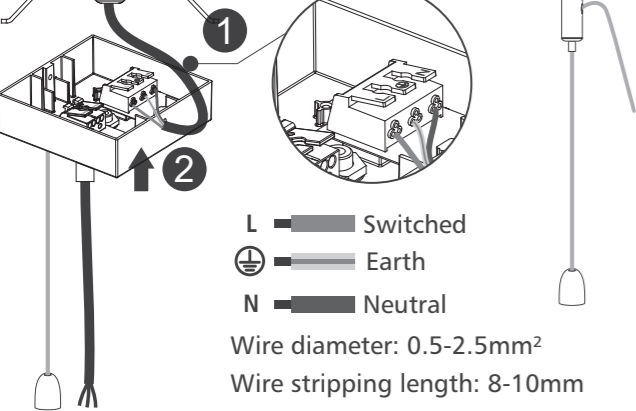
Pendant installation (Without square ceiling plate)

Code									
ACC	x1	x1	x3	x3	x1	x2	x2	x2	x1

Press to adjust the length of the suspension wire

Spec	Hole spacing
1200mm	600-900mm
1600mm	600-1300mm
2000mm	1000-1700mm



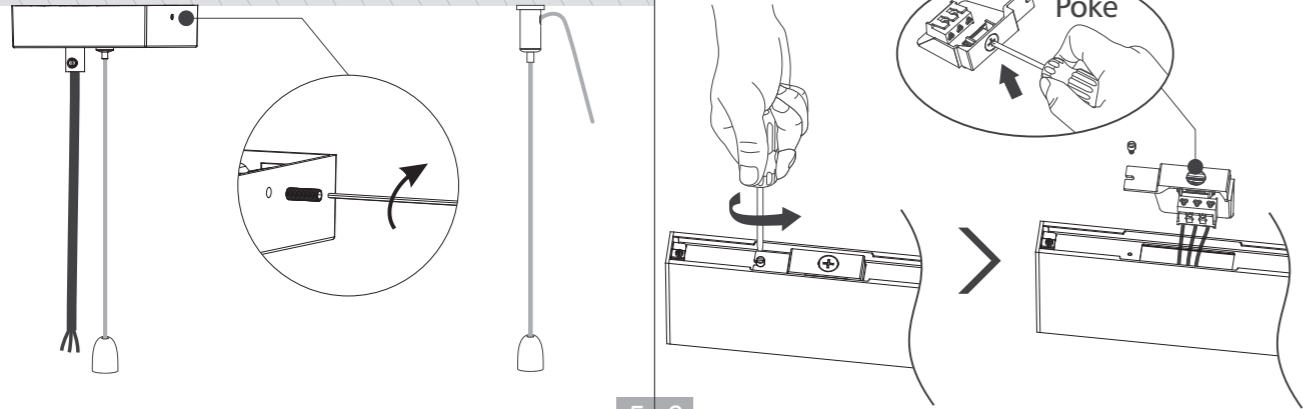
1
2

Standard

DALI

L=Switched
⊕=Earth
N=Neutral

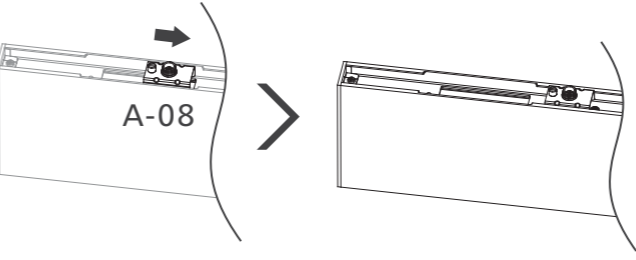
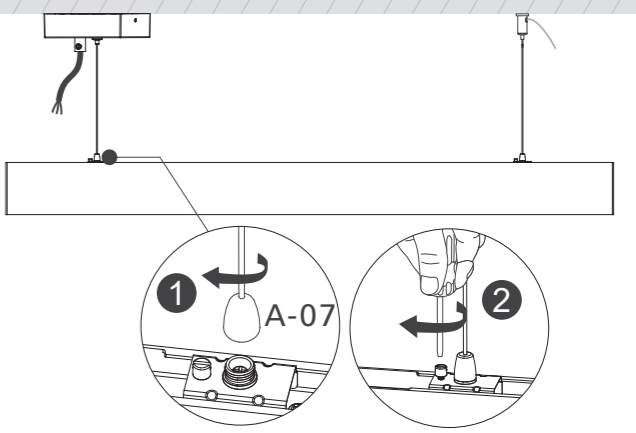
Wire diameter: 0.5-2.5mm²
Wire stripping length: 8-10mm



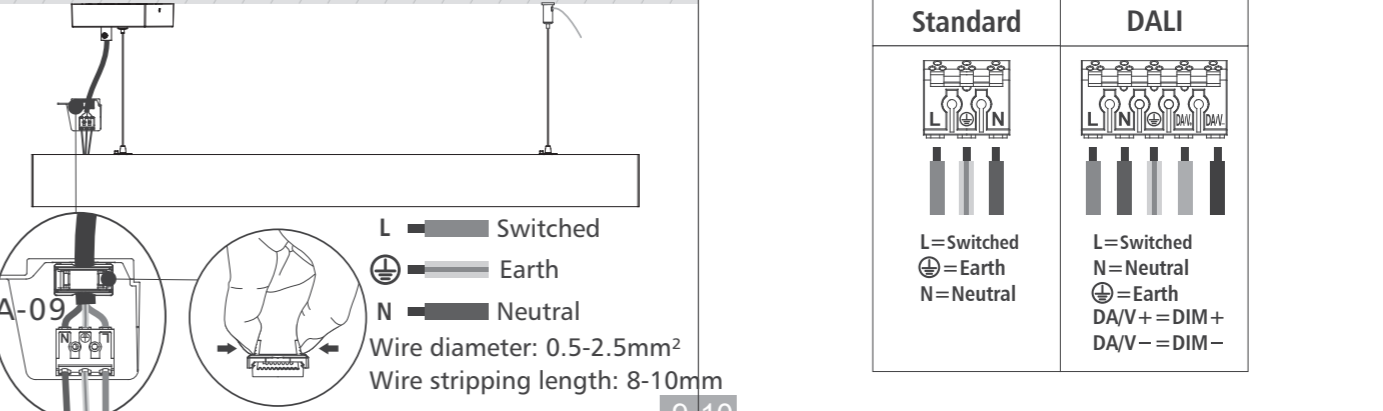
3
4

5
6

Poke

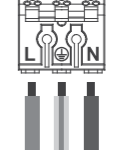
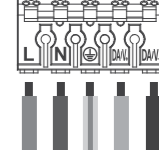
7
8

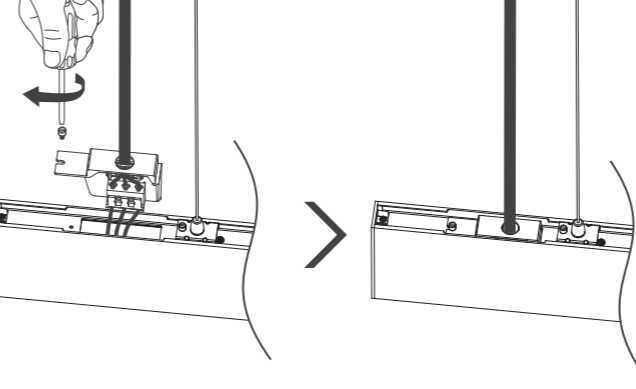
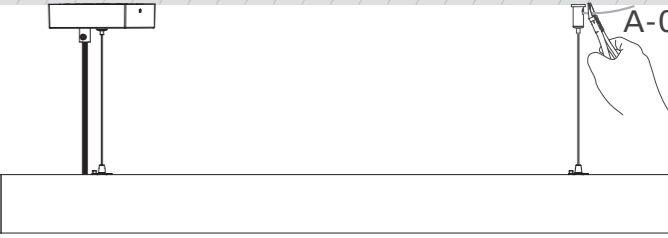


9
10

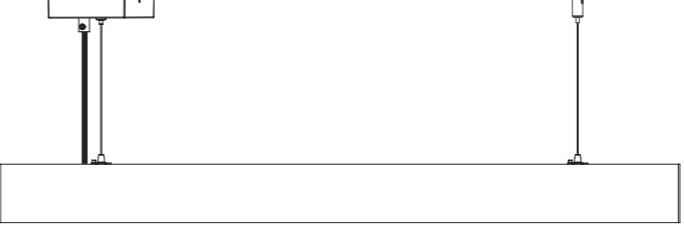
L = Switched
⊕ = Earth
N = Neutral

Wire diameter: 0.5-2.5mm²
Wire stripping length: 8-10mm

Standard	DALI
 L=Switched ⊕=Earth N=Neutral	 L=Switched N=Neutral ⊕=Earth DA/V+=DIM+ DA/V-=DIM-

11
12



13

COMPLETE