

Chain GLT Series Installation

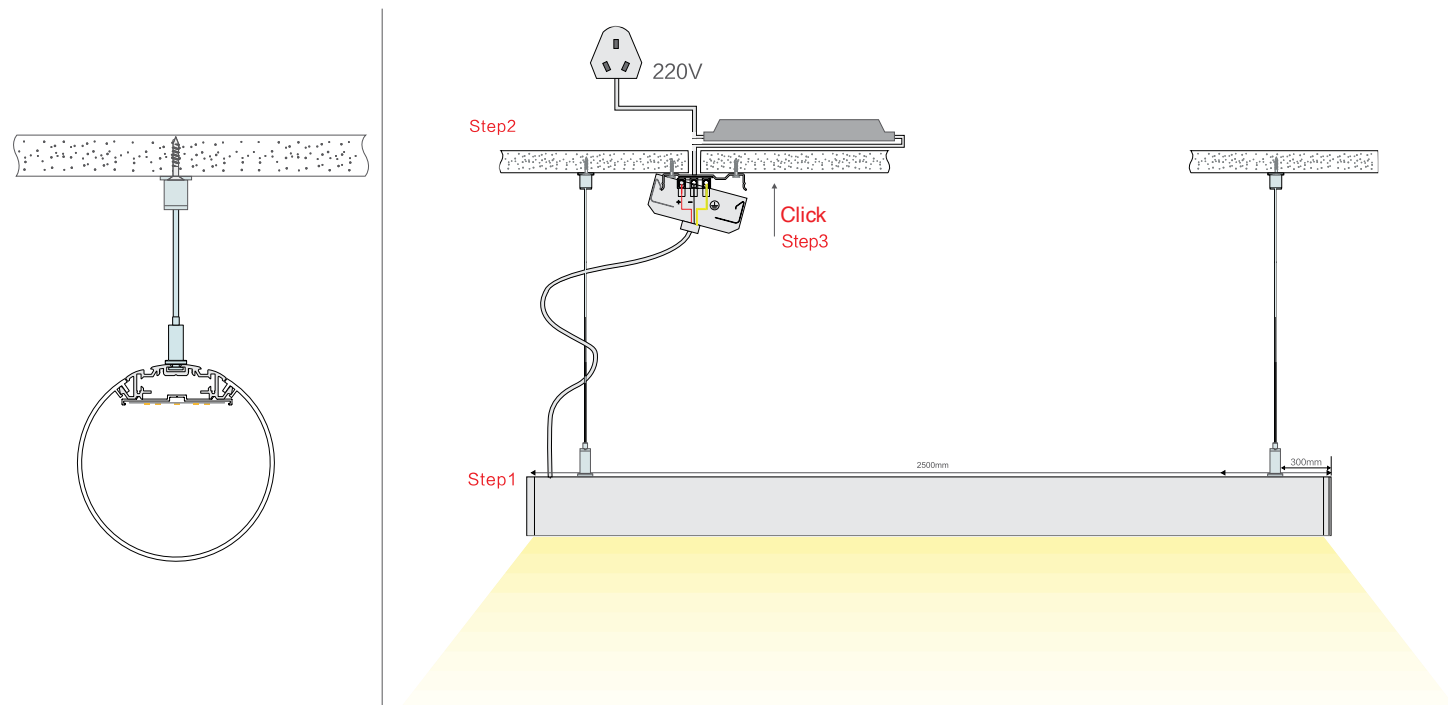
Pendant Diagram



Step1: Main body installation: profile + driver + LED + end cap + cover

Step2: Hanging wire positioning

Step3: Install canopy



Surface Mounted Diagram



Step1: Main body installation: profile + driver + end cap

Step2: Install LED + cover

