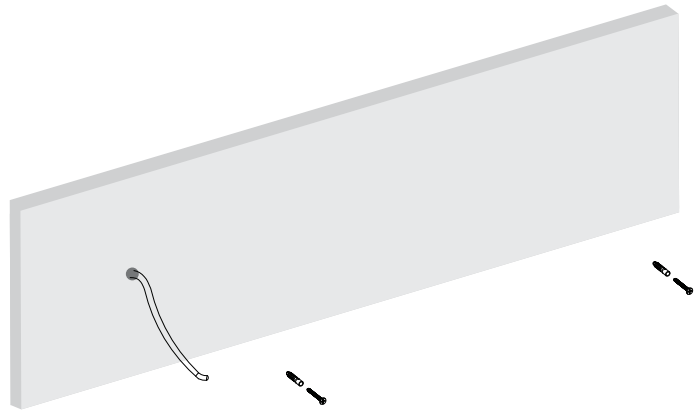


User Manual

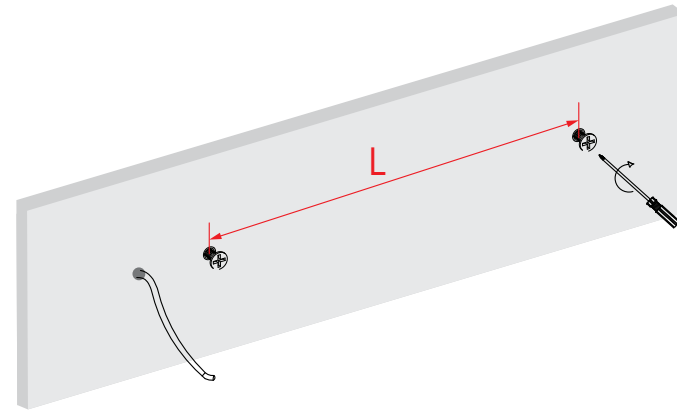
Wall Mounted: Chain GLC25



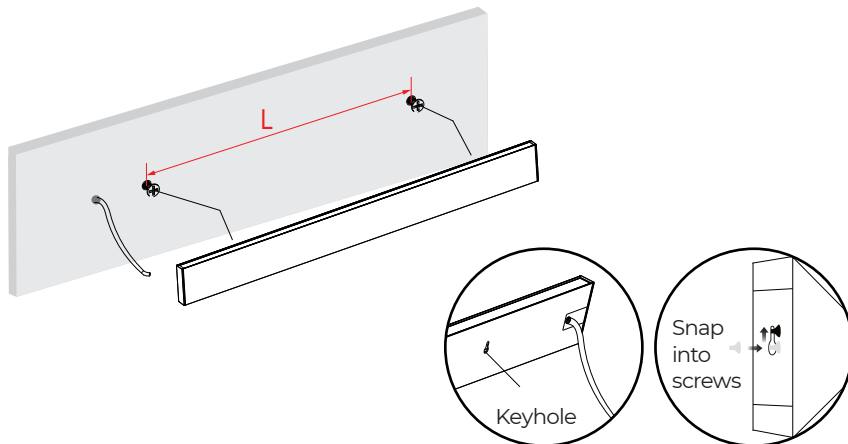
1 Prepare the required accessories



2 Measure the distance of installation holes, open $\varnothing 5\text{mm}$ holes on the wall. Drive into expansion plug and fix with screws.



3 Connect cable of luminaire to power supply, then then snap keyholes of luminaire into the screws.



4 Finish installation. Power on to light up luminaire.

