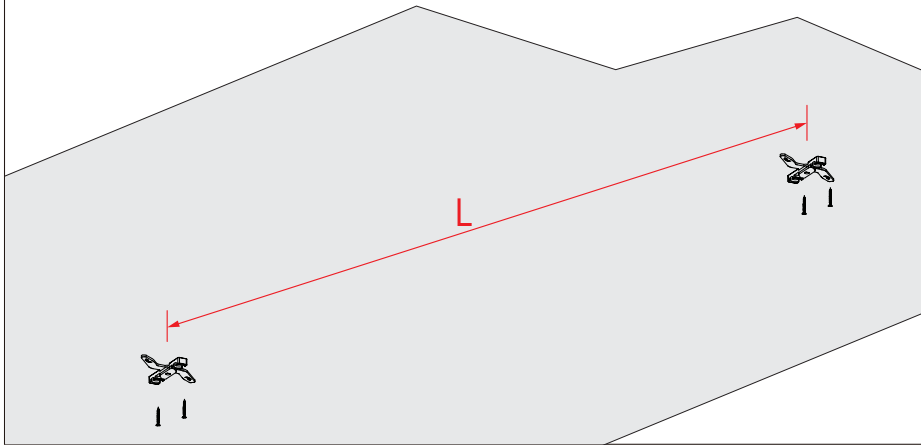


User Manual

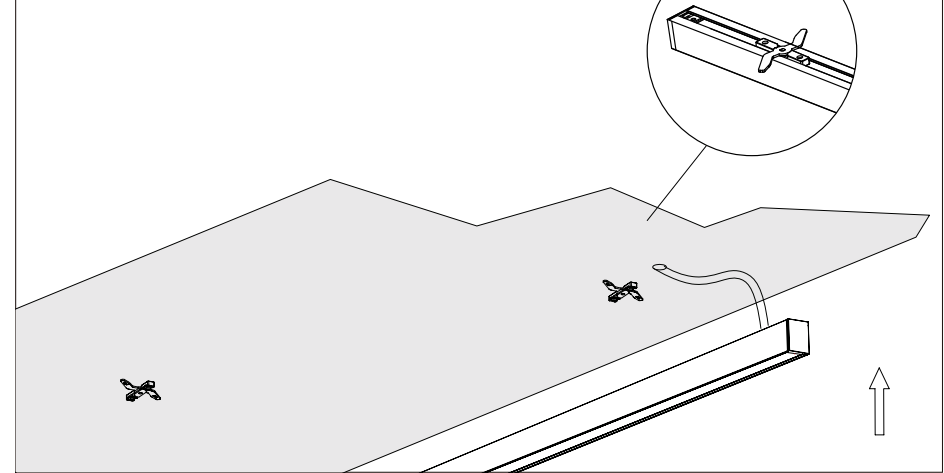
Surface Mounted: Chain GLM25



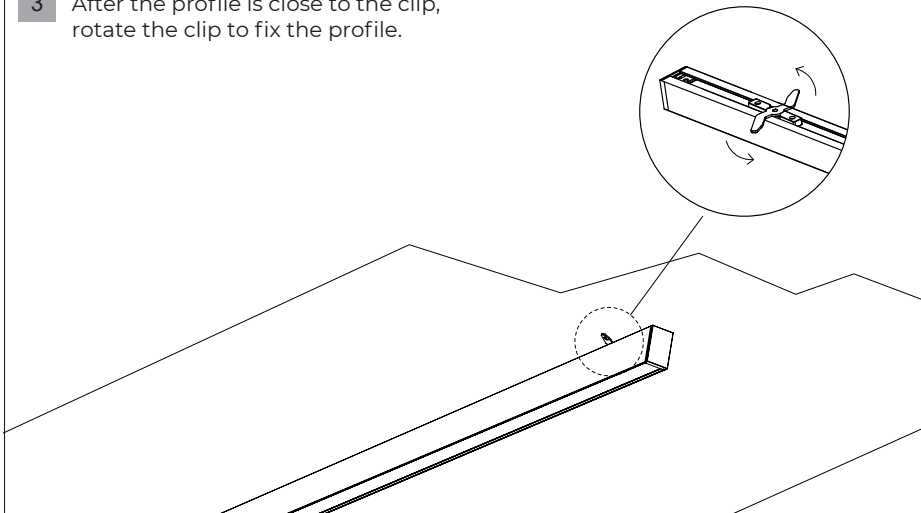
- 1 Measure the distance L between the clips, lock the rotating clip, and open the power line hole of the ceiling at the same time.



- 2 Align the clip position and pass the power line through the power line hole at the same time.



- 3 After the profile is close to the clip, rotate the clip to fix the profile.



- 4 After the installation is completed, the lamp can be turned on when it is powered on.

