



Chain GCTL20

Magnetic Track Lighting System

Magnetic system, Easy installation

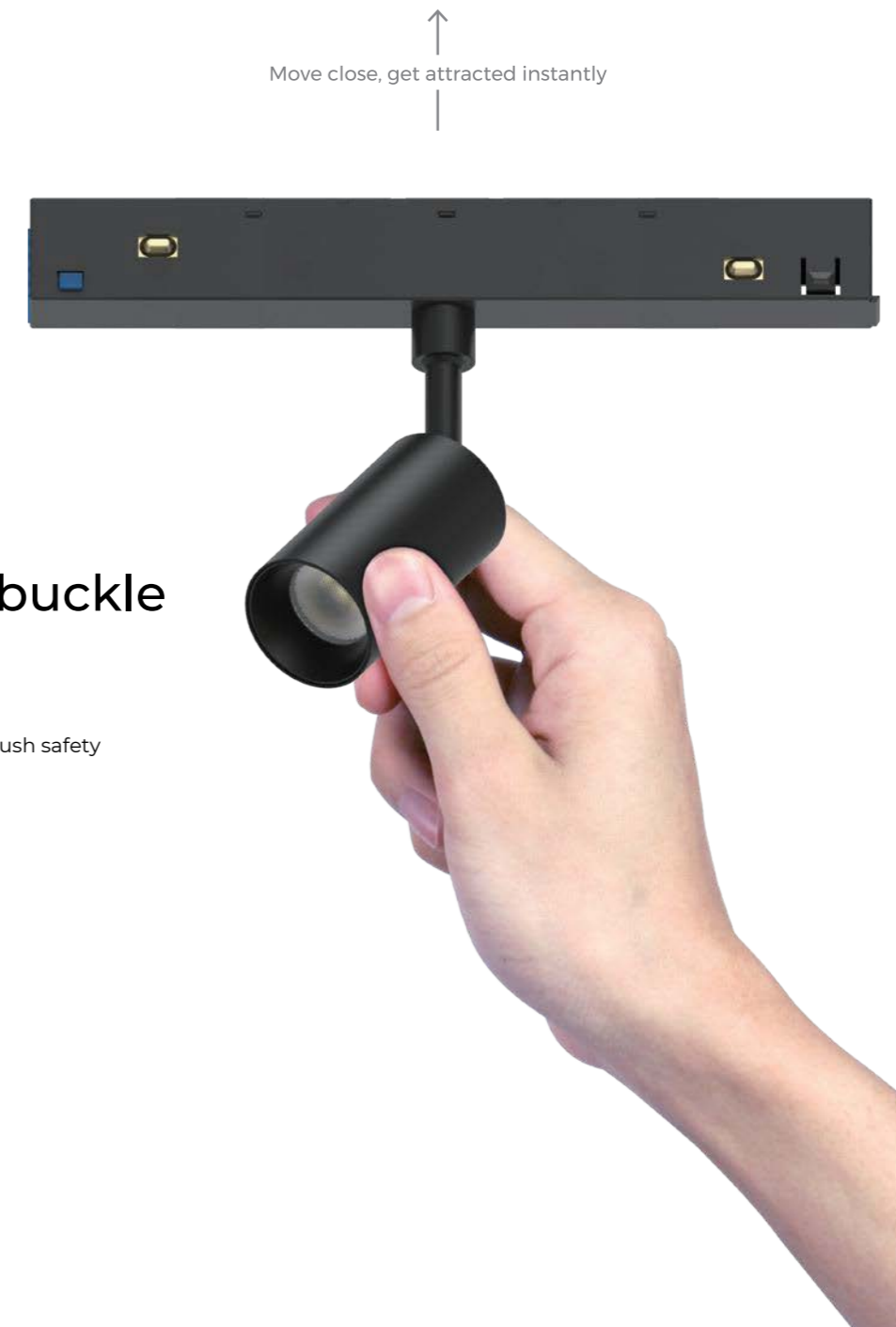


DIY combination of modules

Easy installation, pre-embed track and attach modules in seconds magnetically.
Modular system, satisfies various lighting demands.
Movable and angle adjustable, add flexibility to light designs.
Low-voltage, safe to touch and use.

Safety buckle design

Snap-in buckle, push safety button to release



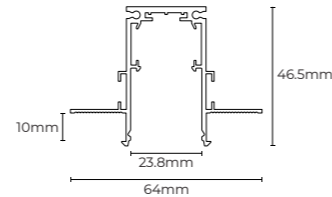
Systematic lighting, Effortless assembly

Two tracks optional



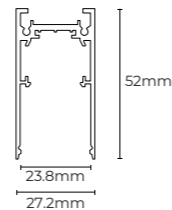
Trimless recessed
GCTLSE-MR210-B

Input voltage: DC 48V
Color: matte black
Material: aluminum alloy/ PVC/ Copper
IP process: IP20
Opening size: width 40mm×height 70mm
Max. Power:750w (Single circuit)
Max. 20m no voltage drop
Four-wire single circuit

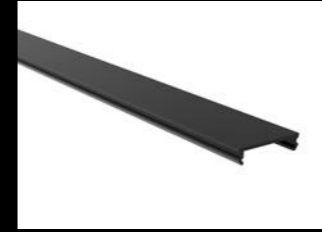


Pendant/surface-mounting
GCTLSE-MH210-B

Input voltage: DC 48V
Color: matte black
Material: aluminum alloy/ PVC/ Copper
IP process: IP20
Max. Power:750w (Single circuit)
Max. 20m no voltage drop
Four-wire single circuit



Track accessories



Protective cover GCCV-LS20FD1000
Size: 1000*25.7*5.6mm



Power feeder GCTLSE-M261
Size: 147*19*17.3mm



End cap for GCTLSE-MR210-B GCTLSE-M273
Size: 47.5*27.5*5.5mm
End cap for GCTLSE-MH210-B GCTLSE-M274
Size: 52*27.5*5.5mm



Connector package for GCTLSE-MR210-B
GCTLSE-M262
2pcs splicing strip (size 70*11.5*2.1mm) +
1pcs power supply (size 138*18*18mm)



Connector package for GCTLSE-MH210-B
GCTLSE-M263
1pcs splicing strip (size 55*22*4.3mm) +
1pcs power supply (size 138*18*18mm)



L-shaped connecting power feeder
GCTLSE-M264
1pcs-L-type power supply,
the length of the middle line is 9cm



Surface-mounting accessories
GCTLSE-M271
Size: 67.5*31.5*7.5mm



Pendant accessories GCTLSE-M272
Including 2pcs sling
and accessories, length 1.5M

Cornering accessories



L-shaped corner for GCTLSE-MH210-B
GCL90-MH20FBXB
Size: 50*50*52mm



L-shaped corner for GCTLSE-MR210-B
GCL90-MR20FBXB
Size: 95*95*46.5mm



L-shaped inner corner for GCTLSE-MH210-B
GCL90N-MR20FBXB
Size: 80*80*27.2mm



L-shaped inner corner for GCTLSE-MR210-B
GCL90W-MR20FBXB
Size: 80*80*64mm

Track power supply



100W integrated magnetic
power supply
GCLV100W48CGC1-2
Size: 268*22*44mm

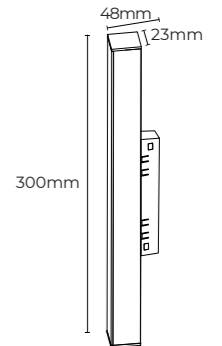


250W integrated magnetic
power supply
GCLV250W48CGC1-2
Size: 268*22*44mm

Soft flood linear diffuser module

5W/10W/15W/20W power, 110° beam angle, soft light emission.
 AL6063 lamp body, highly thermal-conductive. Anti-falling design.
 OSRAM high-power LED, quality power supply, 40000h life span.

GCTLSE-M20FD-300 NEW



Ra>90 **CRI** **IP20** **IP level**

Basic parameter

Product name	Aluminum material	Surface processing	Optics	Size
Linear Diffuser Module 300mm	AL6063	Black powder spraying	Diffuser	300×23×48mm

Photo-electric parameter

Light source	Input voltage	Power	CRI	Color temperature	Luminous flux	Beam angle
SMD	DC 48V	5W	Ra>90	3000 K 3500 K 4000 K	310LM	110°

Customisable

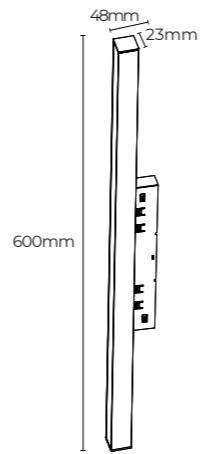
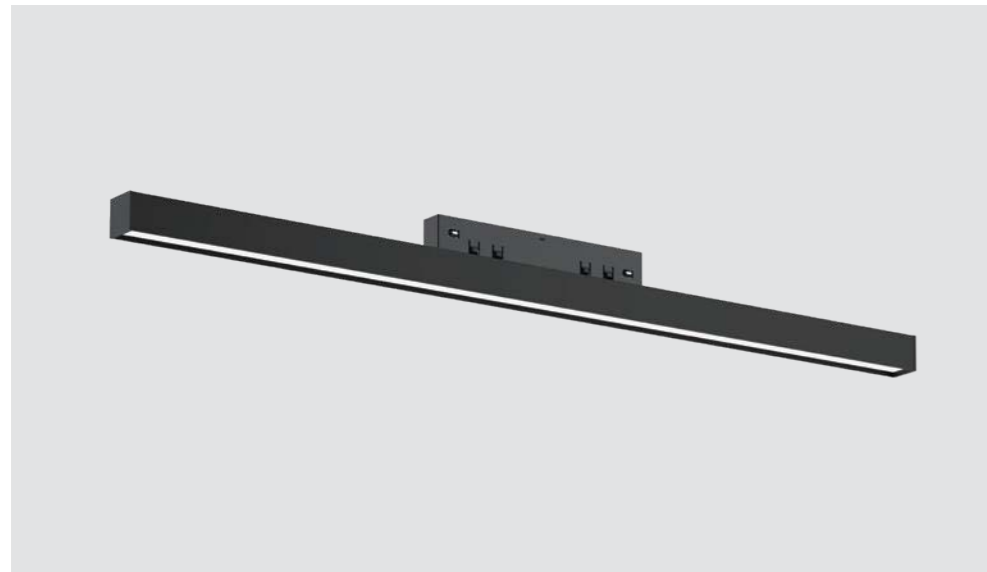


DALI dimming / DALI dimming & toning

Model number

Category	Series	Section size	Diffuser shape	Diffuser nature	Carrier type	Profile color	End cap type	Size	Light source	Typical power	Color temperature	CRI	Power supply													
GCTLSE-M20FD-300	Magnetic track	20mm	20	Flat	F	Diffuser	D	No	X	White	W	Holeless end cap	S	300mm	300	-	Constant current rigid module	R	5W	5	3000K	WW	Ra>90	9	Non-dimming	N
										Black	B										3500K	PW			DALI dimming	A
																					4000K	NW			Dimming	C
																					2700-6500K	SWW				
GCTLSE	M	20	F	D	X	B	S	300	R	5	NW	9	N													

GCTLSE-M20FD-600 NEW



Ra>90 CRI IP20 IP level

Basic parameter

Product name	Aluminum material	Surface processing	Optics	Size
Linear Diffuser Module 600mm	AL6063	Black powder spraying	Diffuser	600x23x48mm

Photo-electric parameter

Light source	Input voltage	Power	CRI	Color temperature	Luminous flux	Beam angle
SMD	DC 48V	10W	Ra>90	3000 K 3500 K 4000 K	560LM	110°

Customisable

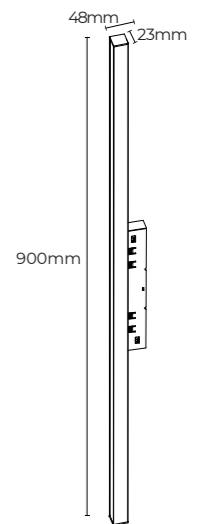
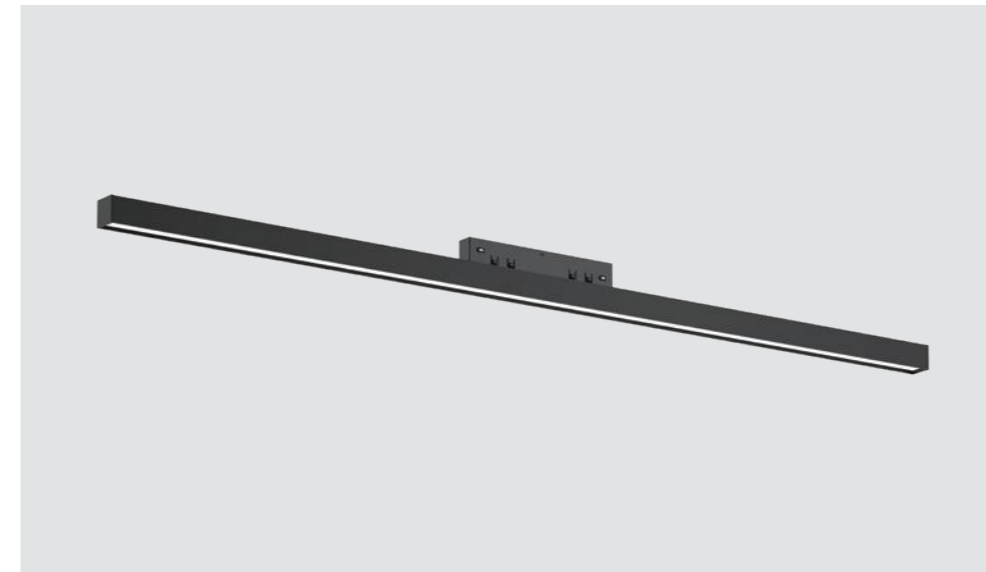


DALI dimming/ DALI dimming & toning

Model number

Category	Series	Section size	Diffuser shape	Diffuser nature	Carrier type	Profile color	End cap type	Size	Light source	Typical power	Color temperature	CRI	Power supply	
GCTLSE-M20FD-600	Magnetic track	20mm 20	Flat F	Diffuser D	No X	White W	Holeless S	600mm 600	Constant current rigid module	10W 10	3000K	Ra>90 9	Non-dimming N	
						Black B	end cap				3500K			PW A
											4000K			NW G
											2700-6500K			SWW
GCTLSE	M	20	F	D	X	B	S	R	10	NW	9	N		

GCTLSE-M20FD-900 NEW



Ra>90 CRI IP20 IP level

Basic parameter

Product name	Aluminum material	Surface processing	Optics	Size
Linear Diffuser Module 900mm	AL6063	Black powder spraying	Diffuser	900x23x48mm

Photo-electric parameter

Light source	Input voltage	Power	CRI	Color temperature	Luminous flux	Beam angle
SMD	DC 48V	15W	Ra>90	3000 K 3500 K 4000 K	875LM	110°

Customisable



DALI dimming/ DALI dimming & toning

Model number

Category	Series	Section size	Diffuser shape	Diffuser nature	Carrier type	Profile color	End cap type	Size	Light source	Typical power	Color temperature	CRI	Power supply	
GCTLSE-M20FD-900	Magnetic track	20mm 20	Flat F	Diffuser D	No X	White W	Holeless S	900mm 900	Constant current rigid module	15W 15	3000K	Ra>90 9	Non-dimming N	
						Black B	end cap				3500K			PW A
											4000K			NW G
											2700-6500K			SWW
GCTLSE	M	20	F	D	X	B	S	R	15	NW	9	N		

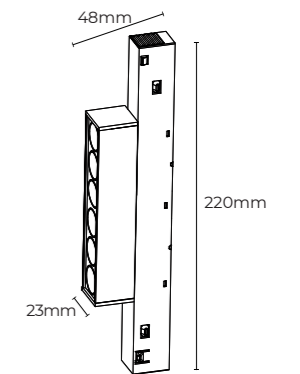
Slender frameless magnetic grille module

Multiple heads illuminating together

Multiple light beads, large-scale uniform lighting

High CRI, rendering colors close to the actual

GCTLSE-M20G-100 NEW



Ra>90 CRI IP20 IP level <10 UGR

Basic parameter

Product name	Aluminum material	Surface processing	Optics	Size
Grille light module 6 heads	AL6063	Black powder spraying	Grating	200x23x48mm

Photo-electric parameter

Light source	Input voltage	Power	CRI	Color temperature	Luminous flux	Beam angle
SMD	DC 48V	6W	Ra>90	3000 K 3500 K 4000 K	495LM	24°/40°

Customisable

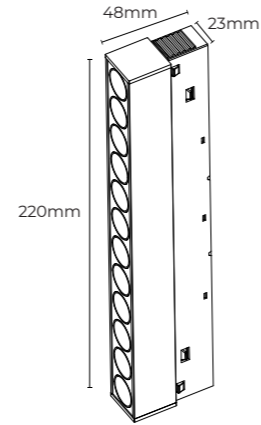


DALI dimming/DALI dimming & toning

Model number

Category	Series	Section size	Diffuser shape	Diffuser nature	Carrier type	Profile color	End cap type	Size	Light source	Typical power	Color temperature	CRI	Power supply												
GCTLSE-M20G-100	Magnetic track	20mm	Grating	24°	F	No	X	White	W	Holeless end cap	S	100mm	100												
				40°	G			Black	B					Constant current rigid module	R	6W	6	3000K	WW	Ra>90	9	Non-dimming	N		
GCTLSE	M	20	G	F	X	B	S		R	6	NW	9	N												

GCTLSE-M20G-200 NEW



Ra>90 CRI IP20 IP level <10 UGR

Basic parameter

Product name	Aluminum material	Surface processing	Optics	Size
Grille Light Module 12 Heads	AL6063	Black powder spraying	Grating	220x23x48mm

Photo-electric parameter

Light source	Input voltage	Power	CRI	Color temperature	Luminous flux	Beam angle
SMD	DC 48V	12W	Ra>90	3000 K 3500 K 4000 K	885LM	24°/40°

Customisable

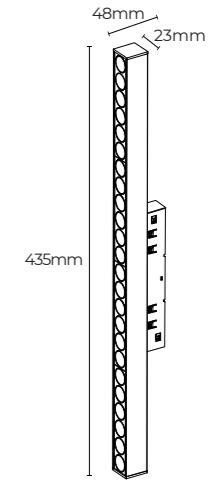
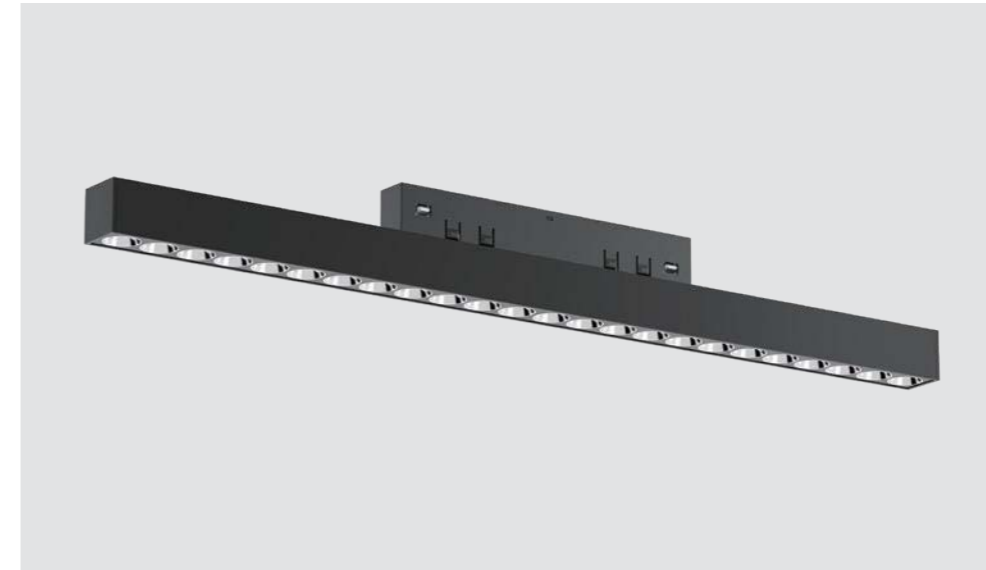


DALI dimming/ DALI dimming & toning

Model number

Category	Series	Section size	Diffuser shape	Diffuser Nature	Carrier type	Profile color	End cap type	Size	Light source	Typical power	Color temperature	CRI	Power supply
GCTLSE-M20G-200	Magnetic track	20mm 20	Grating G	24° F	No X	White W	Holeless S end cap	200mm 200	Constant current rigid module	12W 12	3000K WW	Ra>90 9	Non-dimming N
				40° G	Black B	3500K PW	DALI dimming A						
						4000K NW	Dimming G						
						2700-6500K SWW							
GCTLSE	M	20	G	F	X	B	S	200	R	12	NW	9	N

GCTLSE-M20G-400 NEW



Ra>90 CRI IP20 IP level <10 UGR

Basic parameter

Product name	Aluminum material	Surface processing	Optics	Size
Grille Light Module 24 Heads	AL6063	Black powder spraying	Grating	435x23x48mm

Photo-electric parameter

Light source	Input voltage	Power	CRI	Color temperature	Luminous flux	Beam angle
SMD	DC 48V	16W	Ra>90	3000 K 3500 K 4000 K	1330LM	24°/40°

Customisable

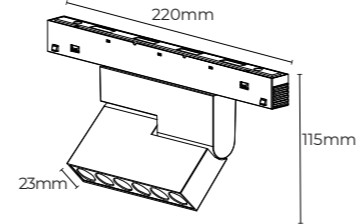


DALI dimming/ DALI dimming & toning

Model number

Category	Series	Section size	Diffuser shape	Diffuser nature	Carrier type	Profile color	End cap type	Size	Light source	Typical power	Color temperature	CRI	Power supply
GCTLSE-M20G-400	Magnetic track	20mm 20	Grating G	24° F	No X	White W	Holeless S end cap	400mm 400	Constant current rigid module	12W 16	3000K WW	Ra>90 9	Non-dimming N
				40° G	Black B	3500K PW	DALI dimming A						
						4000K NW	Dimming G						
						2700-6500K SWW							
GCTLSE	M	20	G	F	X	B	S	400	R	16	NW	9	N

GCTLSE-M20G-100A NEW



Ra>90 CRI IP20 IP level <10 UGR

Basic parameter

Product name	Aluminum material	Surface processing	Optics	Adjustable angle	Size
Grille Light Module 6 Heads	AL6063	Black powder spraying	Grating	Vertical 0-90°	220×23×115mm

Photo-electric parameter

Light source	Input voltage	Power	CRI	Color temperature	Luminous flux	Beam angle
SMD	DC 48V	6W	Ra>90	3000 K 3500 K 4000 K	495LM	24°/40°

Customisable

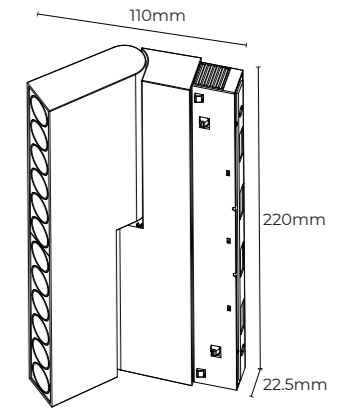


DALI dimming/ DALI dimming & toning

Model number

Category	Series	Section size	Diffuser shape	Diffuser Nature	Carrier type	Profile color	End cap type	Size	Light source	Typical power	Color temperature	CRI	Power supply
GCTLSE-M20G-100A	Magnetic track	20mm 20	Grating G	24° F	Adjustable angle	White W	Holeless end cap S	100mm 100	Constant current rigid module	6W 6	3000K WW	Ra>90 9	Non-dimming N
				40° G	Black B	3500K PW	DALI dimming A						
						4000K NW	Dimming C						
						2700-6500K SWW							
GCTLSE	M	20	G	F	A	B	S		R	6	NW	9	N

GCTLSE-M20G-200A NEW



Ra>90 CRI IP20 IP level <10 UGR

Basic parameter

Product name	Aluminum material	Surface processing	Optics	Adjustable angle	Size
Grille Light Module 12 Heads	AL6063	Black powder spraying	Grating	Vertical 0-90°	220x22.5x110mm

Photo-electric parameter

Light source	Input voltage	Power	CRI	Color temperature	Luminous flux	Beam angle
SMD	DC 48V	12W	Ra>90	3000 K 3500 K 4000 K	885LM	24°/40°

Customisable



DALI dimming/ DALI dimming & toning

Model number

Category	Series	Section size	Diffuser shape	Diffuser nature	Carrier type	Profile color	End cap type	Size	Light source	Typical power	Color temperature	CRI	Power supply
GCTLSE-M20G-200A	Magnetic track	20mm 20	Grating G	24° F	Adjustable angle	White W	Holeless end cap S	200mm 200	Constant current rigid module	12W 12	3000K WW	Ra>90 9	Non-dimming N
				40° G	Black B	3500K PW	DALI dimming A						
						4000K NW	Dimming C						
						2700-6500K SWW							
GCTLSE	M	20	G	F	A	B	S		R	12	NW	9	N

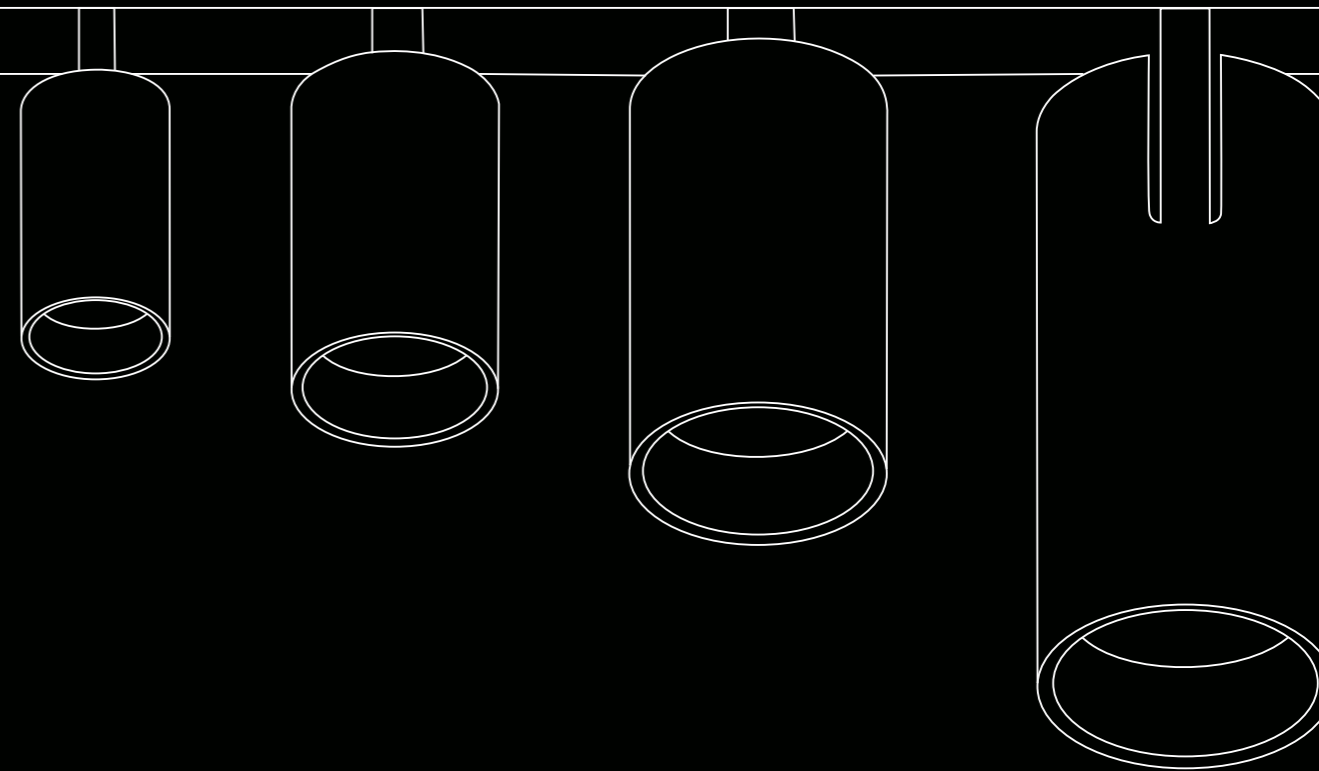
Compact high-quality spotlight module



Adjustable angle for flexible application

Suitable for used around ceiling, above furniture, at wall edges

Focus lighting, adding layering, mood and ambiance to space

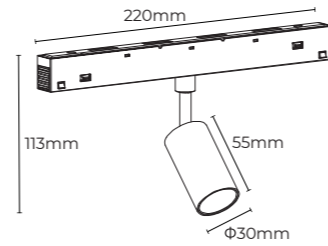


3W-15W wide-range power options, 24°/36° beam angles optional

Precise angles. Support 90° vertical and 355° horizontal rotation

COB and lens combined optics, high-quality power, 40000h life span

GCTLSE-M20S-3055 NEW



Ra>90 CRI IP20 IP level <19 UGR

Basic parameter

Product name	Aluminum material	Surface processing	Optics	Adjustable angle	Size
Φ30 Spotlight module	AL6063	Black powder spraying	Lens	Horizontal 0-355° Vertical 0-90°	220x30x113mm

Photo-electric parameter

Light source	Input voltage	Power	CRI	Color temperature	Luminous flux	Beam angle
COB	DC 48V	3W	Ra>90	3000 K 3500 K 4000 K	235LM	24°/36°

Customisable

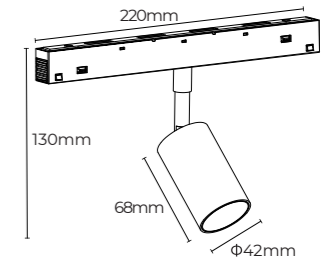


DALI dimming/ DALI dimming & toning

Model number

Category	Series	Section size	Diffuser shape	Diffuser Nature	Carrier type	Profile color	End cap type	Size	Light source	Typical power	Color temperature	CRI	Power supply
GCTLSE-M20S-3055	Magnetic track	20mm	Spotlight S	24° F 40° G	No X Black B	White W Black B	Holeless end cap S	Diameter 30mm 3055 Length 55mm	Constant current rigid module	3W 3	3000K WW 3500K PW 4000K NW 2700-6500K SWW	Ra>90 9	Non-dimming N DALI dimming A Dimming C
GCTLSE	M	20	S	F	X	B	S	3055	T	3	NW	9	N

GCTLSE-M20S-4268 NEW



Ra>90 CRI IP20 IP level <19 UGR

Basic parameter

Product name	Aluminum material	Surface processing	Optics	Adjustable angle	Size
Φ42 Spotlight module	AL6063	Black powder spraying	Lens	Horizontal 0-355° Vertical 0-90°	220x42x130mm

Photo-electric parameter

Light source	Input voltage	Power	CRI	Color temperature	Luminous flux	Beam angle
COB	DC 48V	6W	Ra>90	3000 K 3500 K 4000 K	540LM	24°/36°

Customisable

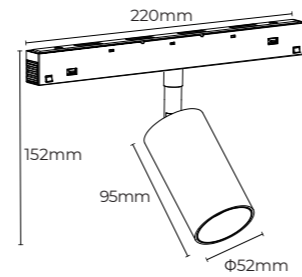


DALI dimming/ DALI dimming & toning

Model number

Category	Series	Section size	Diffuser shape	Diffuser Nature	Carrier type	Profile color	End cap type	Size	Light source	Typical power	Color temperature	CRI	Power supply
GCTLSE-M20S-4268	Magnetic track	20mm	Spotlight S	24° F 40° G	No X Black B	White W Black B	Holeless end cap S	Diameter 30mm 4068 Length 55mm	Constant current rigid module	6W 6	3000K WW 3500K PW 4000K NW 2700-6500K SWW	Ra>90 9	Non-dimming N DALI dimming A Dimming C
GCTLSE	M	20	S	F	X	B	S	4068	T	6	NW	9	N

GCTLSE-M20S-5295 NEW



Ra>90 CRI IP20 IP level <19 UGR

Basic parameter

Product name	Aluminum material	Surface processing	Optics	Adjustable angle	Size
Φ52 Spotlight module	AL6063	Black powder spraying	Lens	Horizontal 0-355° Vertical 0-90°	220x52x152mm

Photo-electric parameter

Light source	Input voltage	Power	CRI	Color temperature	Luminous flux	Beam angle
COB	DC 48V	10W	Ra>90	3000 K 3500 K 4000 K	1020LM	24°/36°

Customisable

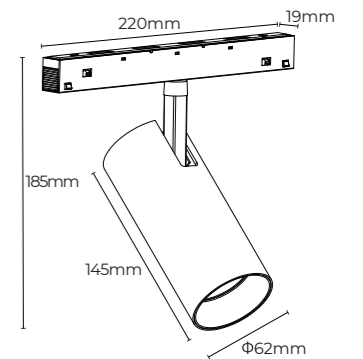


DALI dimming/ DALI dimming & toning

Model number

Category	Series	Section size	Diffuser shape	Diffuser Nature	Carrier type	Profile color	End cap type	Size	Light source	Typical power	Color temperature	CRI	Power supply											
GCTLSE-M20S-5295	Magnetic track	20mm	Spotlight S	24°	F	No	X	White W	Holeless end cap	Diameter 52mm Length 95mm	5295	-	Constant current rigid module	T	10W	10	3000K	WW	Ra>90	9	Non-dimming	N		
				36°	G	Black B	3500K	PW															DALI dimming	A
							4000K	NW															Dimming	C
							2700-6500K	SWW																
GCTLSE	M	20	S	F	X	B	S	5295	T	10	NW	9	N											

GCTLSE-M20S-62145 NEW



Ra>90 CRI IP20 IP level <19 UGR

Basic parameter

Product name	Aluminum material	Surface processing	Optics	Adjustable angle	Size
Φ62 Spotlight module	AL6063	Black powder spraying	Lens	Horizontal 0-355° Vertical 0-90°	220x62x185mm

Photo-electric parameter

Light source	Input voltage	Power	CRI	Color temperature	Luminous flux	Beam angle
COB	DC 48V	15W	Ra>90	3000 K 3500 K 4000 K	1040LM	15°/24°/36°

Customisable



DALI dimming/ DALI dimming & toning

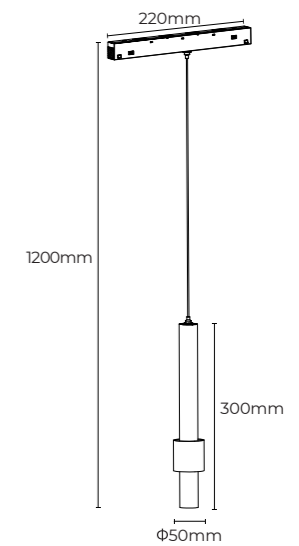
Model number

Category	Series	Section size	Diffuser shape	Diffuser Nature	Carrier type	Profile color	End cap type	Size	Light source	Typical power	Color temperature	CRI	Power supply											
GCTLSE-M20S-62145	Magnetic track	20mm	Spotlight S	15°	E	No	X	White W	Holeless end cap	Diameter 60mm Length 135mm	60135	-	Constant current rigid module	T	15W	15	3000K	WW	Ra>90	9	Non-dimming	N		
				24°	F	Black B	3500K	PW															DALI dimming	A
				36°	G		4000K	NW															Dimming	C
							2700-6500K	SWW																
GCTLSE	M	20	S	F	X	B	S	60135	T	15	NW	9	N											

Elegant stylish pendant light

Minimalist design, add linear beauty to space
 Multiple light beads, large-scale uniform lighting
 Anti-glare diffuser, Matte texture.

GCTLSE-M20I-50300 NEW



Ra>90 CRI IP20 IP level

Basic parameter

Product name	Aluminum material	Surface processing	Optics	Size
Φ50 Pendant light	AL6063	Black powder spraying	Lens	1200x50x300mm

Photo-electric parameter

Light source	Input voltage	Power	CRI	Color temperature	Luminous flux	Beam angle
COB	DC 48V	5W	Ra>90	3000 K 3500 K 4000 K	405LM	24°/36°

Customisable

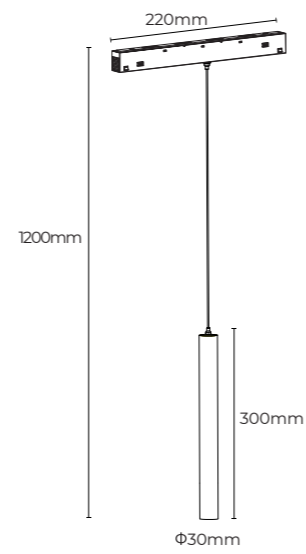


DALI dimming/ DALI dimming & toning

Model number

Category	Series	Section size	Diffuser shape	Diffuser Nature	Carrier type	Profile color	End cap type	Size	Light source	Typical power	Color temperature	CRI	Power supply
GCTLSE-M20I-50300	Magnetic track	20mm	Pendant light	24°	F	With glowing ring	White	Holeless end cap	Constant current rigid module	5W	3000K	Ra>90	Non-dimming
				36°	G	Black	Length 300mm	3500K			DALI dimming		
							4000K	Dimming					
							2700-6500K	Dimming					
GCTLSE	M	20	I	F	S	B	S		5	NW	9	N	

GCTLSE-M20I-30300 NEW



Ra>90 CRI IP20 IP level

Basic parameter

Product name	Aluminum material	Surface processing	Optics	Size
Φ30 Pendant light	AL6063	Black powder spraying	Lens	1200x30x300mm

Photo-electric parameter

Light source	Input voltage	Power	CRI	Color temperature	Luminous flux	Beam angle
COB	DC 48V	5W	Ra>90	3000 K 3500 K 4000 K	405LM	24°/36°

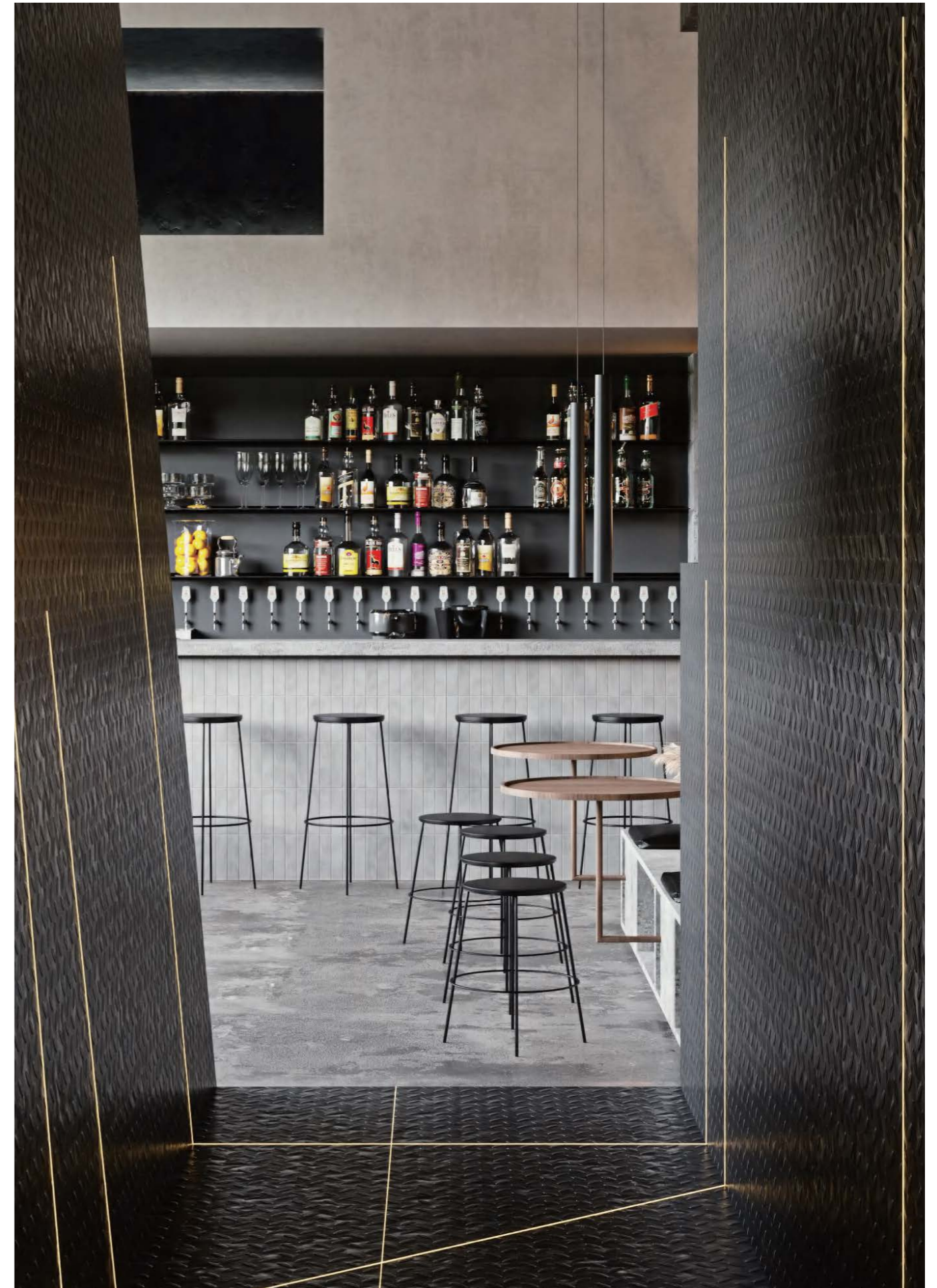
Customisable



DALI dimming/ DALI dimming & toning

Model number

Category	Series	Section size	Diffuser shape	Diffuser Nature	Carrier type	Profile color	End cap type	Size	Light source	Typical power	Color temperature	CRI	Power supply		
GCTLSE-M20I-30300	Magnetic track	M 20mm 20	Pendant light	24°	F	No	X White W	Holeless end cap S	Diameter 30mm 30300 Length 300mm	Constant current rigid module	5W	5	3000K WW	Ra>90 9	Non-dimming N
				36°	G	Black B	3500K PW				DALI dimming A				
							4000K NW				Dimming G				
							2700-6500K SWW								
CCTLSE	M	20	I	F	X	B	S	30300	T	5	NW	9	N		



Application





Greenlux Lighting

37 Chelmsford Street,
Williamstown North VIC 3016 Australia

Ph: 1300 650 625 / +61 3 8560 2895

Email: enquiries@greenlux.com.au

Website: www.greenlux.com.au