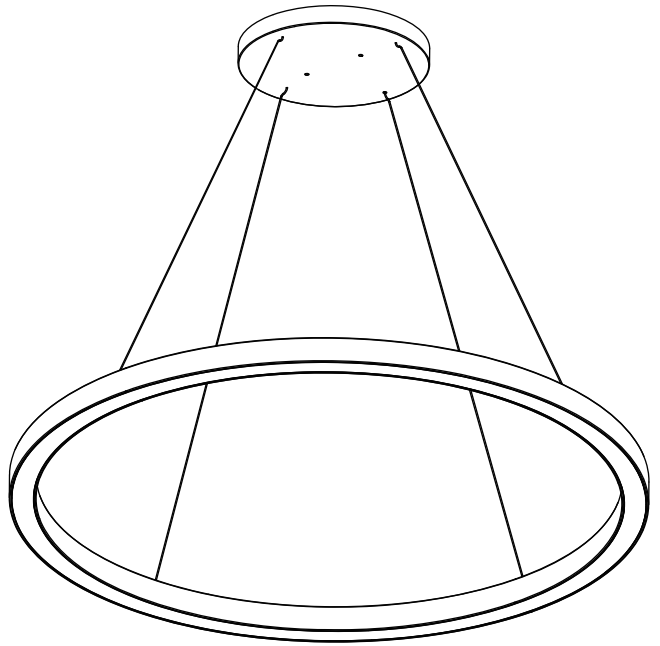


# USER MANUAL — Circular Luminaire

Chain GAS3535

0.8m/ 1.5m



V1.0

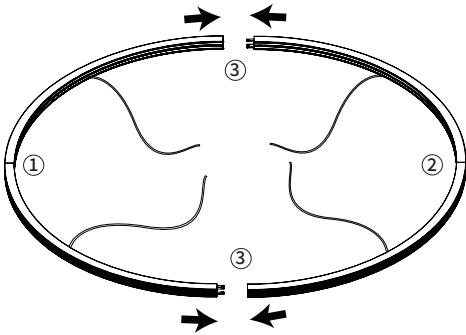
Please read the manual carefully before installation and application, and use the product in the correct way. Please properly maintain the manual after reading and understanding it for convenient reference by all users of the product in the future

# Luminaire Assembly

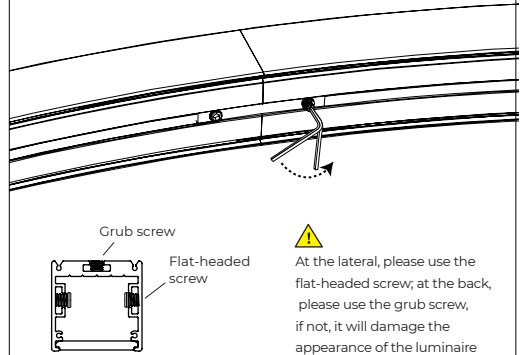
\* You don't need to assemble the luminaire if you purchase the luminaire with 0.8m diameter

## 1 Profile Interconnection

1. Insert the connectors into the corresponding slot, then assemble the profiles into two semicircles and make up a whole circle

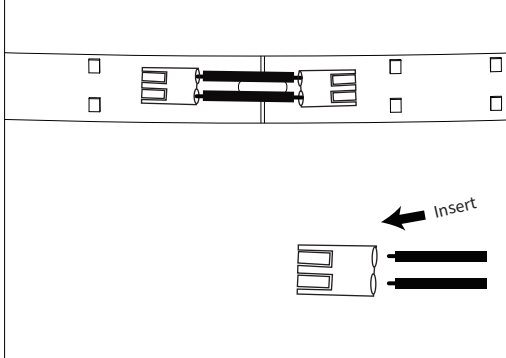


2. Fasten the screws on the back and side of the connectors through the allen wrench

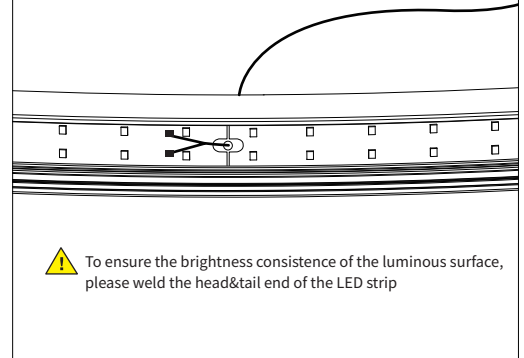


## 2 Light Source Interconnection

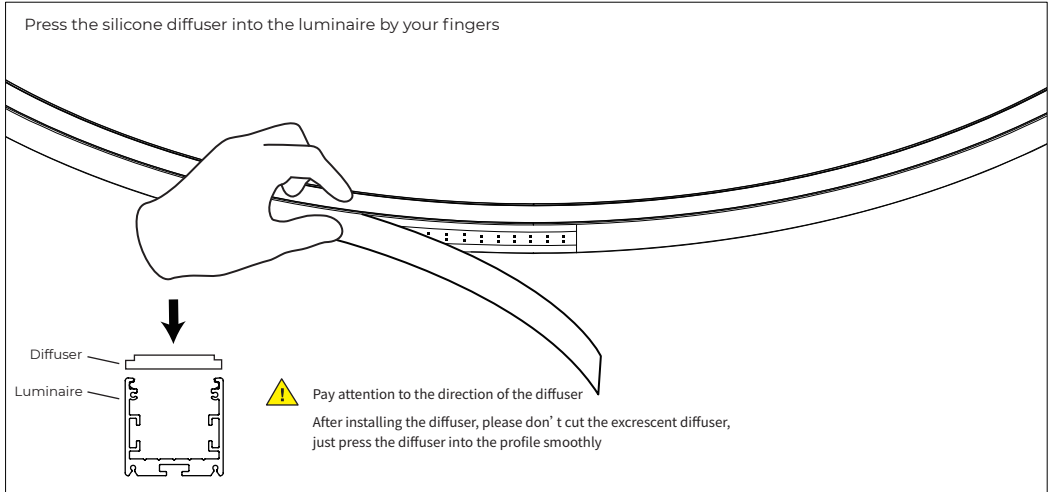
- D1535 Downward** Connect the light source with the wire (4 positions)



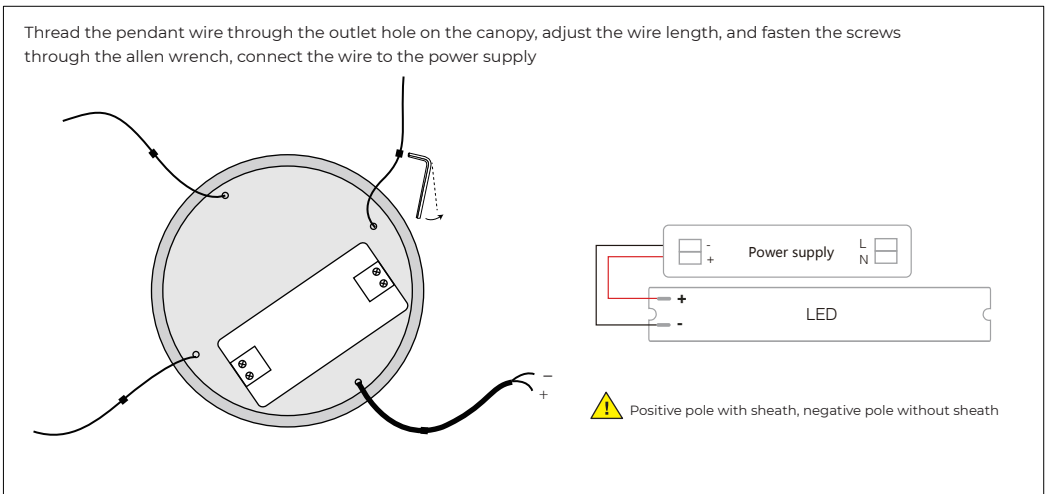
- D1512 Inward**  
**D1558 Outward** Tear up the 3M tape on the back of the LED strip, thread the wire through the outlet hole, and place the LED strip into the profile



### 3 Diffuser Installation



### 4 Installation of Pendant Wire

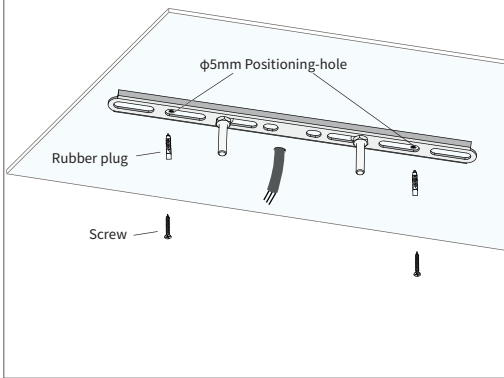


### 5 Fill the interconnected gap with silicone gel according to the actual situation

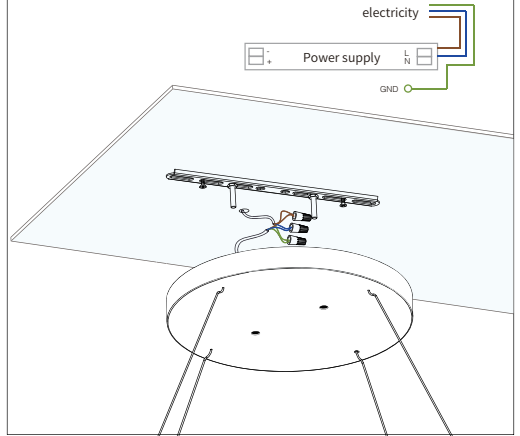
# Luminaire Installation

## Pendant

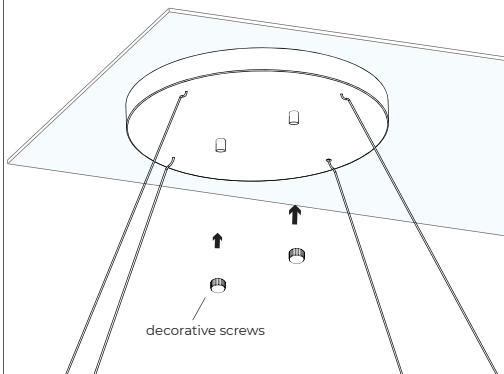
1. Fix the bracket on the ceiling with screws



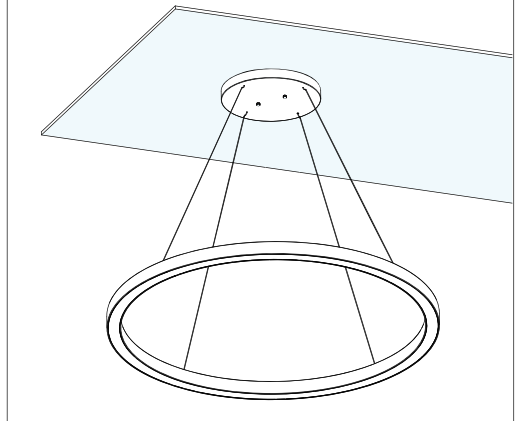
2. Finished wiring



3. Thread the screws of the bracket through the canopy, fasten it with decorative screws



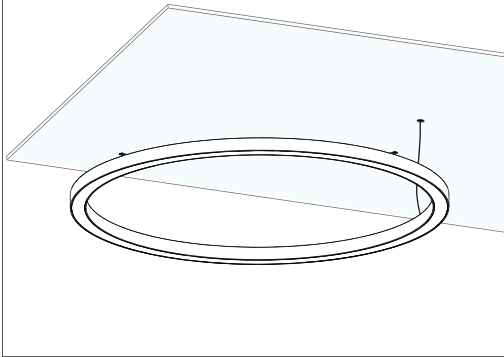
4. Finished



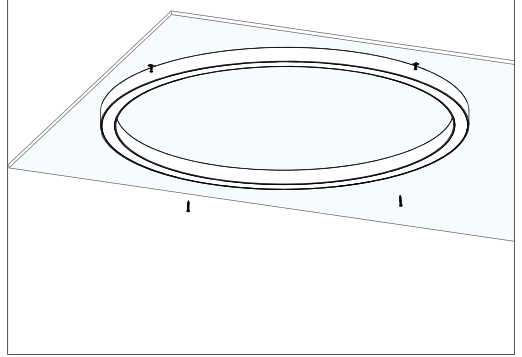
# Luminaire Installation

## Surface mounted

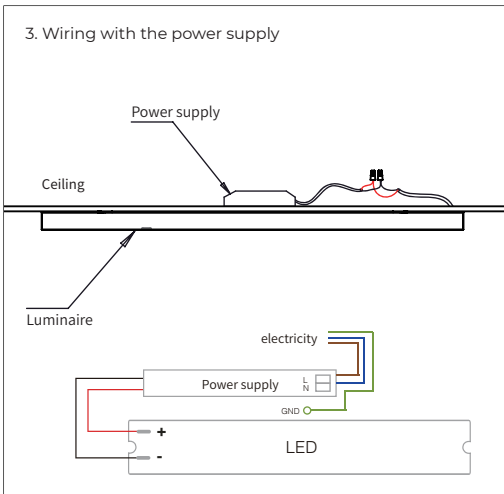
1. Punch the  $\phi$  10mm outlet hole into the ceiling, and thread the wire of the luminaire through the hole



2. Fasten the luminaire with screws



3. Wiring with the power supply



4. Finished

