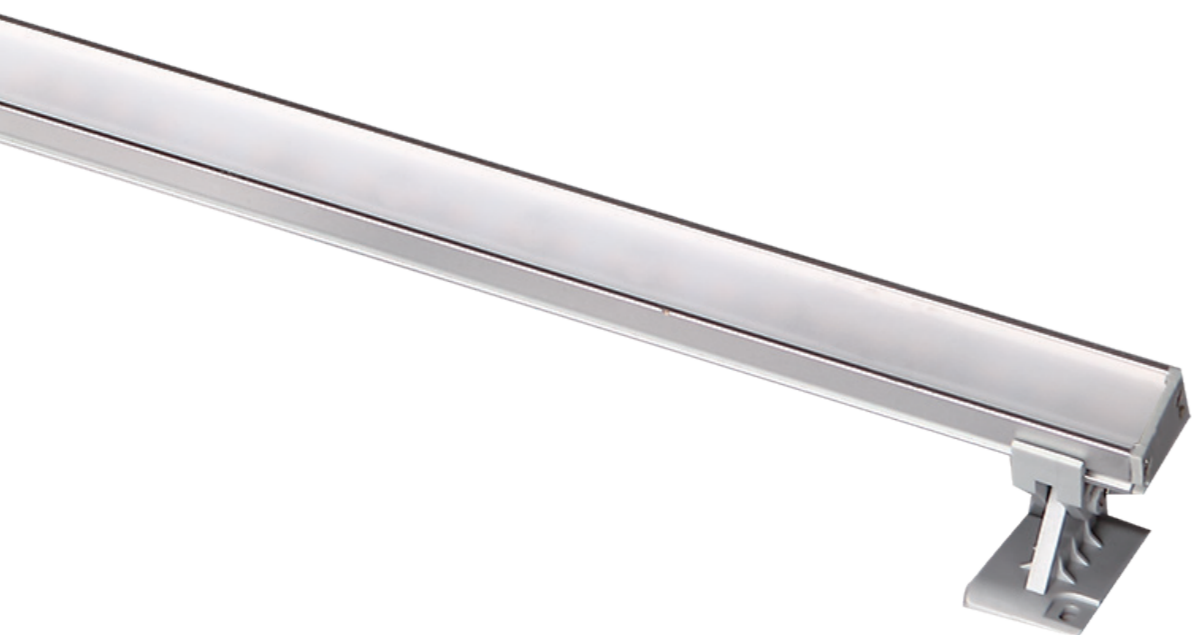


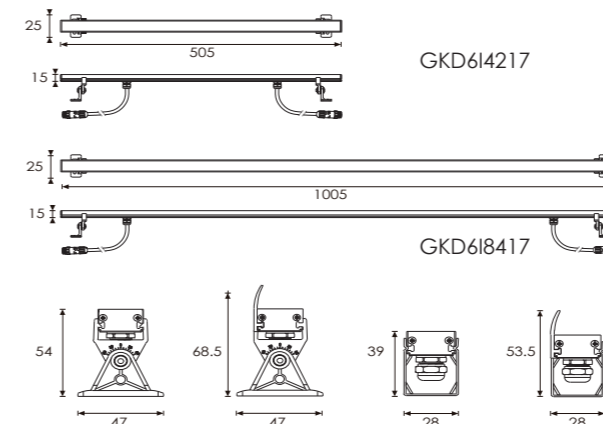
Wall Washer 2515

IP-65 Slim Type Linear Light Bar



Outer Dimension

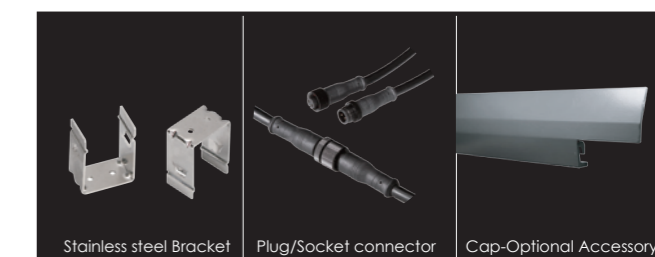
Unit:mm



Material specifications

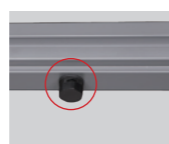
Housing	Aluminum anodized finishing & powder painting
Diffuse	PC T=2mm
Cable gland	Copper and nickel coated
LED	SMD2835
PCB	Heat Conductivity≥2.0w/mk
LED Driver	Constant current IC on the board
Operating temperature	-20°C~40°C
Power cable	H03VV-F 2X0.75mm² L=option
Dimmable Support	Triac PWM 1-10V Dali

Optional Parts



LED Colour Temperature Optics

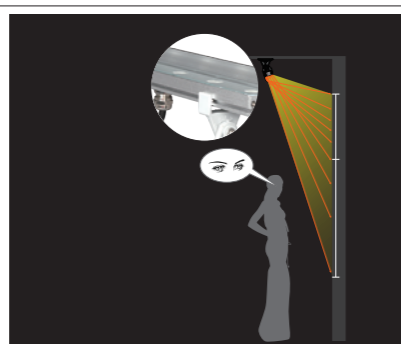
- 2000K
- 4000K
- 6000K



Air Valve



Cap-Optional Accessory



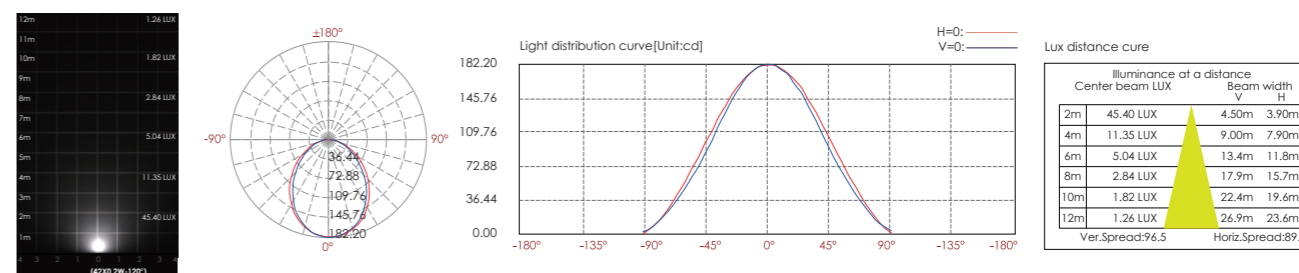
The cap can effectively :
1.Reduce the people view angle to the light
2.concentrate the brightness.



Bracket

Item	Light source	Length L=(mm)	The manufacturer selected lens degree(°)θ1/2	Input voltage(V)	Typical operating current(mA)	Typical consumption(W)	Typical luminance(lm)	Power Factor PF=	IK rate
GKD614217	42×0.2W	505	120°	24V DC	350	8.5	Cool white=430 Warm white=418	1	02
GKD618417	84×0.2W	1005	120°	24V DC	700	17	Cool white=994 Warm white=867	1	02

GKD614217



GKD618417

