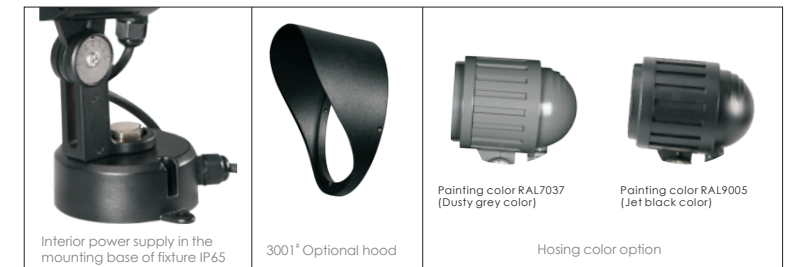
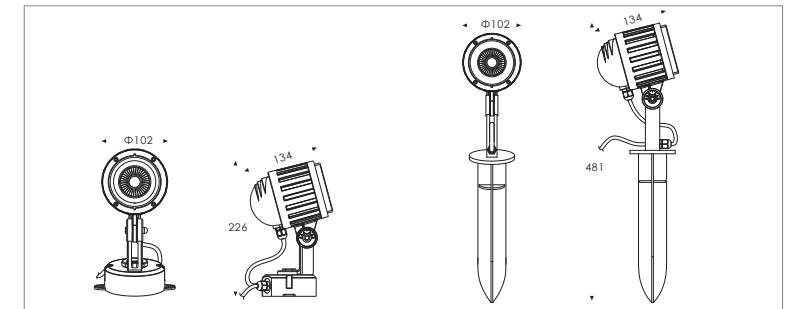


Landscape 07 LED Spot Garden Light Single Colour



Material specifications

Housing	12' Die-casting powder coated aluminum , T=60-80um adhesion of ISO class 1/ASTM class 48
Glass	Tempered glass, T=4mm
Reflector	Optical Reflector efficiency ≥ 90%
Cable gland	IP-68 PG-9 PVC
Gasket	Molding shaped silicone double seal
LED	COB LED 10 W
PCB	Excellent heat conductivity aluminum, coefficient of heat Conductivity ≥ 2.0w/mk
Driver	Constant current output
Operating temperature	-20°C~40°C
Power cable	100/240V: L=1M H05RN-F 3×1.0mm ²
Spike	PVC
Mounting base	Powder coated die-casting aluminum

Item No.	Light source	Reflector	The manufacturer selected reflector degree (θ/2)	Input voltage (v)	Typical operating current(mA)	Typical consumption(w)	Typical luminance (lm)	IK rate
GKLAN-10W-B-07	1×10W SHARP COB	B33D	20	120/240	120V=88 240V=48	120V=10.5 240V=10.5	Cool white=685 Warm white=674	05
GKLAN-10W-A-07	1×10W SHARP COB	B34D	30	120/240	120V=88 240V=48	120V=10.5 240V=10.5	Cool white=685 Warm white=674	05

