



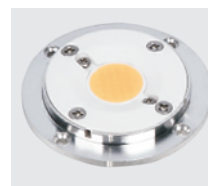
greenlux
cost reduction LED lighting

Scale Series Outdoor LED Wall Light

- Unique architectural design, with soft light output
- IP65 rating, dust and weatherproof
- High Lumen Output 834lm
- High quality Sharp COB Chipset & Class II SAA Driver
- 25° Beam Angle
- Colour Range from 3000-6000k
- Input voltage 100-240V AC
- High quality die-casting powder coated aluminum housing
- High quality glass diffuser
- Brown / Black / White housing color
- Applications include outdoor areas such as corridors, walkways for hotels, clubs, museums, exhibition centres & household

Specifications

Colour Range	3000-6000k
Luminous Flux	834lm
Power Consumption	12W
Input Voltage	100 ~ 240V AC 60Hz
Glass	Tempered Glass T=3.5mm
Beam angle	25°
CRI	>80
Power Factor	>0.9
Chipset	Sharp COB
IP Rating	IP65



COB



Reflector

Dimensions & Materials

Product Dimensions (mm)	220*156*90
Housing Material	Die-casting Powder Coated Aluminium
Housing Colour	Brown / Black / Silver

LM80

RoHS

RCM

SAA

IP65

TUV

CE

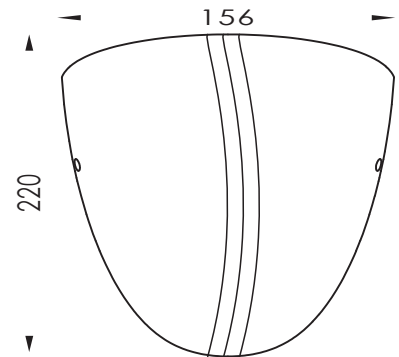
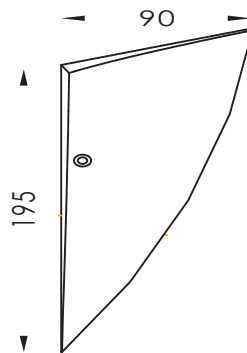
3 Yrs
Warranty



greenlux
cost reduction LED lighting

Scale Series Outdoor LED Wall Light

Dimensions



Material specifications

Housing	12 [#] Die - casting grey powder coated aluminum. T=60-80μm Adhesion of ISO class 1/ASTM class 4B.
Front cover	12 [#] Die - casting aluminum
Glass	Tempered glass.T=3.5mm
LED driver	Constant current output
Operating temperature	- 20° C ~40° C
Power cable	H05RN-F 3X1.0mm ² L=0.5m(High voltage)

Item No.	Light source	Reflector	The manufacturer selected reflector degree (θ 1/2)	Input voltage (v)	Typical operating current (mA)	Typical consumption (w)	Typical luminance (lm)	IK rate
GKSCA-12W	1× 12W SHARP COB	R3	30	24VDC 120/240	24V=576 120V=110 240V=60	24V=13.8 120V=13.4 240V=13.1	Cool white=834 Warm white=809	05