



**greenlux**  
cost reduction LED lighting

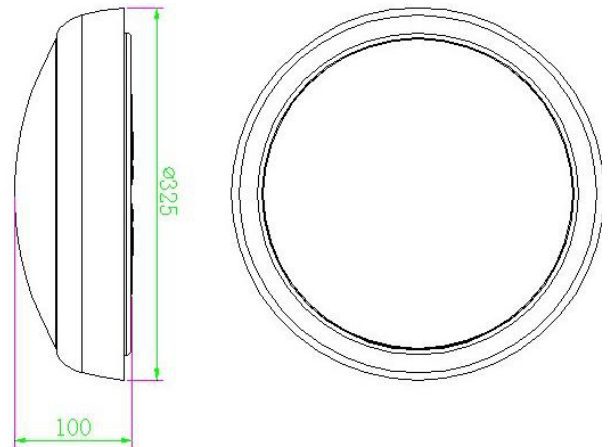
# Pearl Series LED Oyster Light

Available in Common, Sensor, Emergency, Sensor & Emergency

- Surface Mounted ceiling light, 110° beam angle
- Available in Common, Sensor, Emergency and Emergency & Sensor
- 3 Hours emergency(option available);
- Microwave/ Motion sensor:
  - Automatically dims when detected area is unattended
  - Adjustable range (1-8m), 180 degree
- High quality SMD LED
- IP54 Rated
- No UV or IR rays. No mercury
- 3 Years Warranty
- Applications include ceilings, walls, walkways, hotels, restaurants, museums & display cases

## Specifications

<b>Colour Range</b>	3000-6000k
<b>Chipset</b>	SMD LED
<b>Power Consumption</b>	14W
<b>Lumen Output</b>	1180lm
<b>Luminous Efficiency</b>	95lm/W
<b>Input Voltage</b>	AC 176-264V
<b>Driver Output Voltage</b>	DC 36V
<b>Driver Output Current</b>	300mA ±15mA
<b>Beam angle</b>	110°
<b>Ra</b>	<80
<b>Power Factor</b>	>0.9
<b>Driver</b>	Class II
<b>IP Rating</b>	IP54



## Dimensions

<b>Product Dimensions (mm)</b>	Ø325 x 100
<b>Housing Materials</b>	PC Housing & Diffuser

## Certification and Safety

<b>Certifications</b>	IP54, CE, RoHS, SAA, C Tick
<b>Environment</b>	Indoor Location
<b>Warranty</b>	3 years





**greenlux**  
cost reduction LED lighting

# Pearl Series LED Oyster Light

Available in Common, Sensor, Emergency, Sensor & Emergency

## Specifications

### Emergency

<b>Type</b>	Maintained
<b>Battery (High Temp)</b>	9.6V 1.6AH Ni-MH Rechargeable
<b>Emergency Output</b>	30% nominal power
<b>Emergency Duration</b>	>3 Hours
<b>Charge Time</b>	<12Hours
<b>LED indication</b>	Red: charging; Green: fully charged; Yellow: battery fault or disconnected
<b>Test button</b>	AC power on: Push and hold the button to enter emergency mode; release button to come back AC power mode

### Microwave Sensor

<b>Sensor Range</b>	180 degree; 0.5 - 8M (adjustable)
<b>Sensing Interval</b>	10s to 5min max (adjustable)
<b>Sensing interval output</b>	0% or 25% light output at standby
<b>Detection Angle</b>	360 degree
<b>Input Voltage</b>	12V DC
<b>Output Power</b>	5V DC
<b>HF System</b>	5.8Hz+/-75MHzCWRadar ISM band

Model	Function	CCT	Voltage	Luminous Efficiency	CRI	Size
GBOYS-14W-C	Common	3000-6000K	AC 176-264V	95Lm/W	Ra< 80	ø325 x 100
GBOYS-14W-S	Sensor	3000-6000K	AC 176-264V	95Lm/W	Ra< 80	ø325 x 100
GBOYS-14W-E	Emergency	3000-6000K	AC 176-264V	95Lm/W	Ra< 80	ø325 x 100
GBOYS-14W-ES	Emergency & Sensor	3000-6000K	AC 176-264V	95Lm/W	Ra< 80	ø325 x 100