



greenlux
cost reduction LED lighting

Actino 02 Series LED Track Spot Light



Specifications

Colour Range	2700 ~ 5000K
Power Consumption	30W / 45W
Lumens	2900 / 5000lm/W
Input Voltage	100V ~ 240V AC
Chipset	COB
Beam angle	24° ~ 60°
Power Factor	>0.9
Dimmer (option)	Triac / 0-10V / Dali
CRI	>80 or >90
Driver	Class II SAA

- Eco-friendly. No UV or IR rays. No mercury or any other hazardous substances
- Adjustable 350° in horizontal direction, 90° in vertical direction
- High quality COB light source
- Performs high efficiency and energy saving, Up to 80% energy saving compared to standard CFL
- Replaces traditional track lights
- IP44 for indoor use only
- 5 Years Warranty
- Applications include shopping centres, galleries, cafes, hotels, theatres, museums & display cases

Dimensions & Materials

Product Dimensions (mm)	Ø115*197*138 (L*W*H)
Housing Materials	Aluminium + Glass Diffuser
Housing Colour	White / Black / Silver

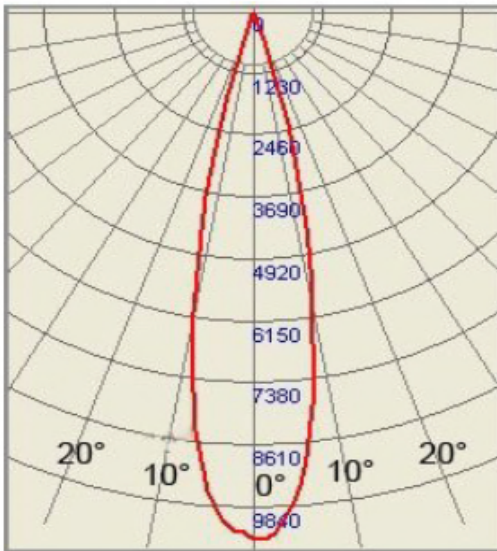
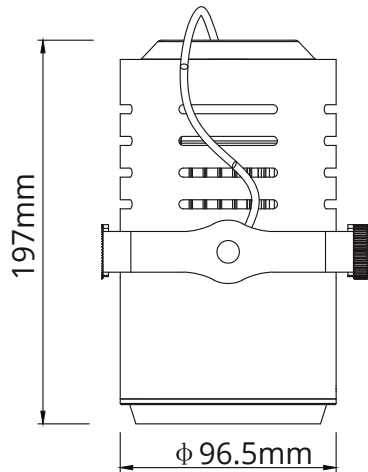
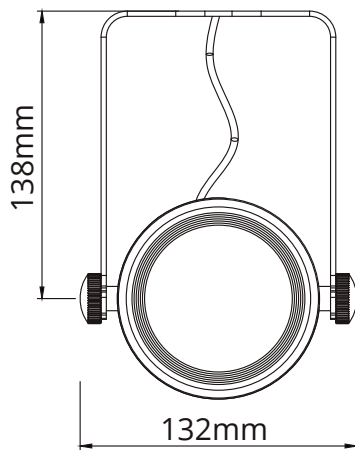




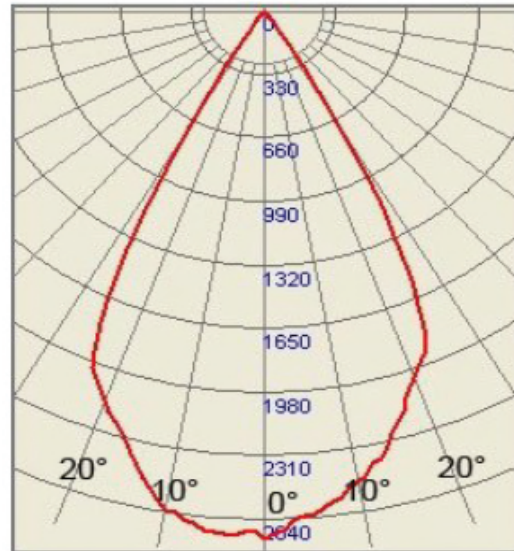
greenlux
cost reduction LED lighting

Actino 02 Series LED Track Spot Light

Dimensions & Photometrics



30W, 3000K, 24°



30W, 3000K, 60°

Model#	Dimensions (mm)	IP Rating	Beam Angle	CCT (k)	Lumens	Wattage	LED	Dimmer (option)
GSACT-30W-02	Ø115*197*138	IP44	24° ~ 60°	3000 4000	2900	30W	COB	Triac Dali
GSACT-45W-02	Ø115*197*138	IP44	24° ~ 60°	5000	5000	45W	COB	0-10V