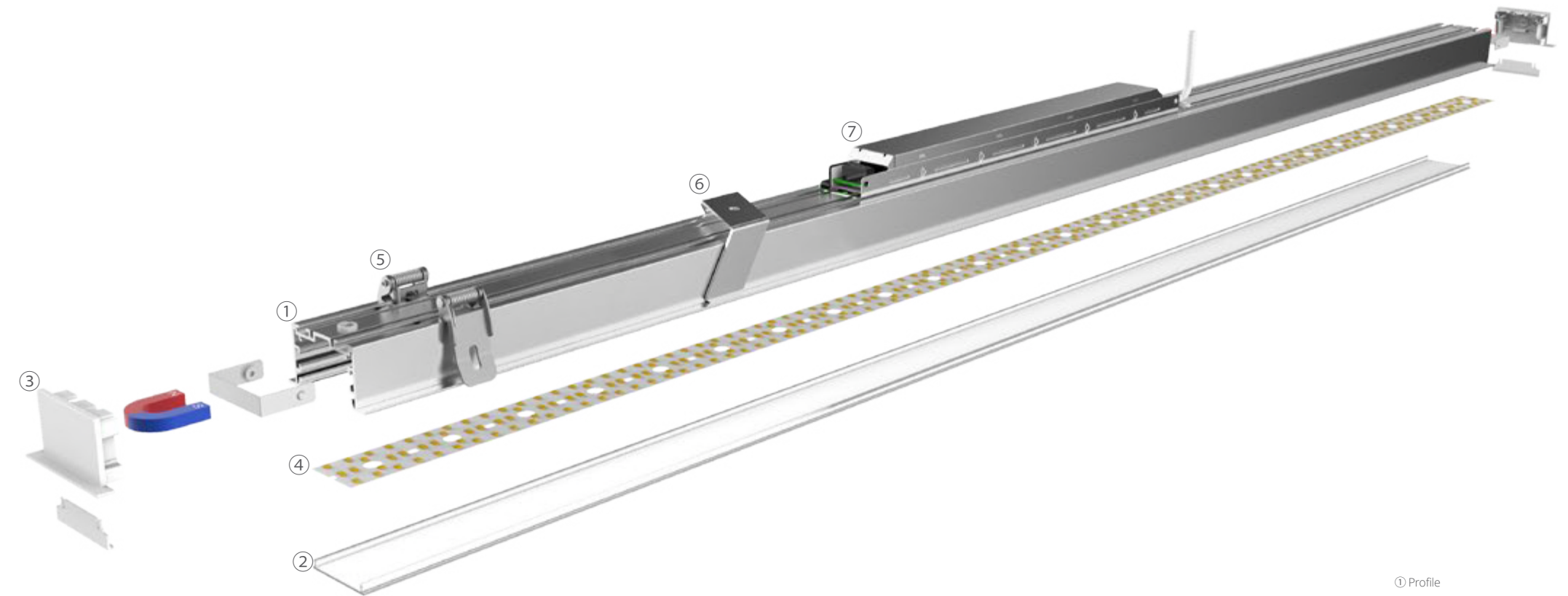


Chain GLE SERIES

Innovative magnet end cap, easy installation without screws;

Multi-corner connectors are available: 180 ° straight, L-type, T-type, X-type;

Various of customized services: customized color, size, material and so on.

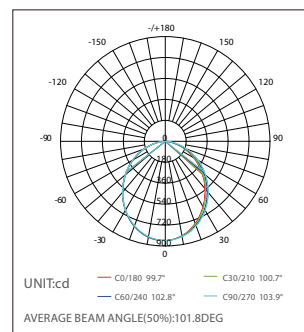
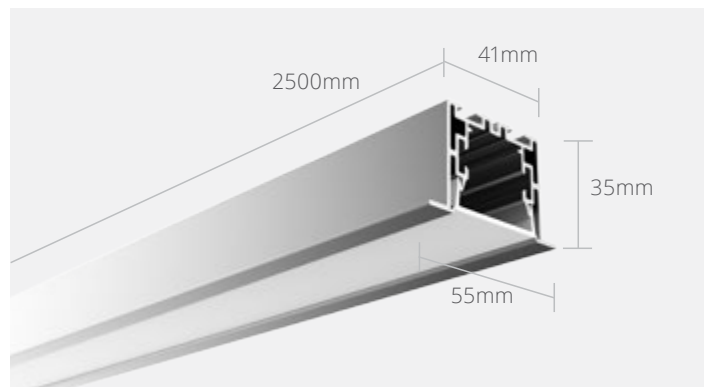


- ① Profile
- ② PC cover
- ③ End cap
- ④ LED
- ⑤ ⑥ Recessed accessories
- ⑦ Driver

GLE 5535



greenlux
cost reduction LED lighting



Height	Eavg,Emax	Angle:99.71deg	Diameter
1m	3771,8574lx		23714cm
2m	79,28,214.4lx		474,27cm
3m	35,23,95.27lx		711,41cm
4m	19,82,53.59lx		948,54cm
5m	12,68,34.30lx		1185,68cm

Standard



Profile x1



End Cap x2

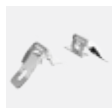


Cover x1

Optional



GLE5535-RN



GLE-RB



GD8240H



GESD-V24-0655



180



GLE5535-L90W



GLE5535-L90N



GLE5535-L90



GLE5535-T90



GLE5535-X90

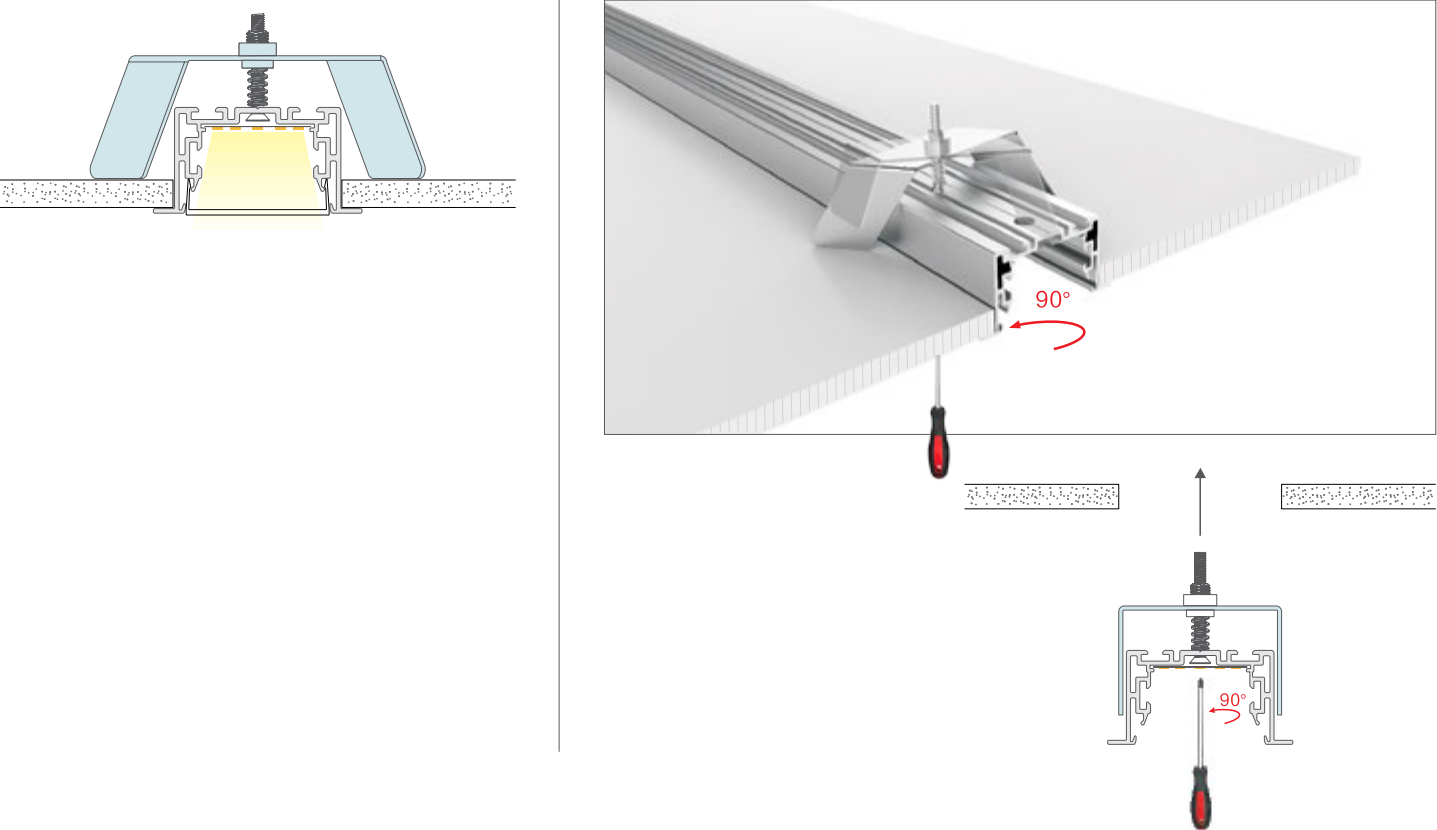


Chain GLE Series Installation

Recessed Schematic diagram



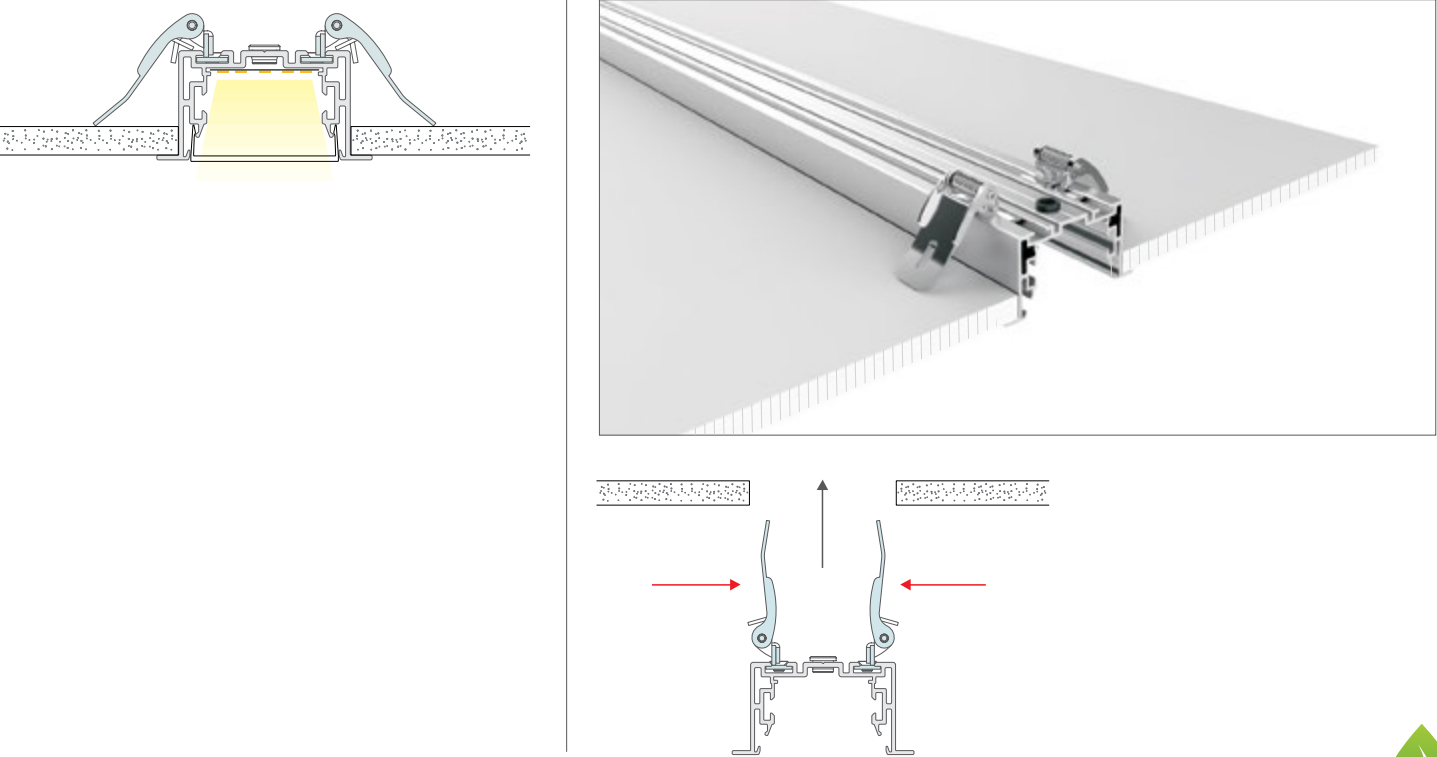
Step1: "LEXXX-RN" type Clip set to profile body
Step2: 90 ° rotation pressing button on profile



Recessed Schematic diagram



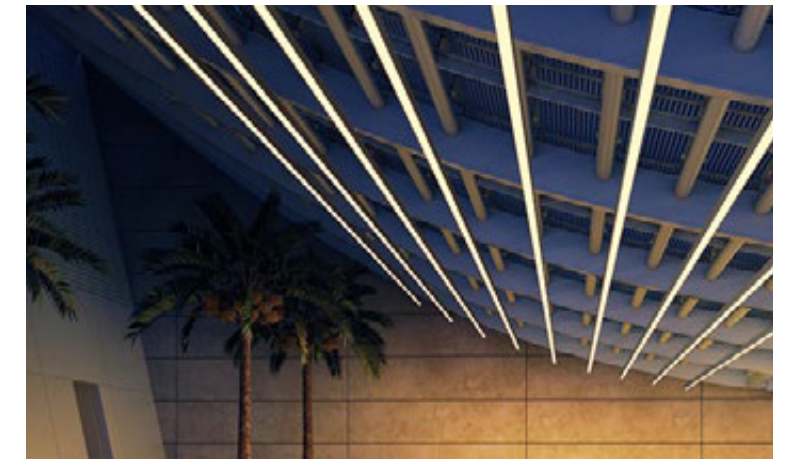
Step1: "LEXXX-RB" type Clip set to profile body
Step2: Push the body up, stuck with the wall



Chain Series LED Linear Light



Home Lighting



Commercial Lighting



Office Lighting



Industrial Lighting

